

REVISIONS				
ZONE	REV	DESCRIPTION	DATE	APPROVED

MECHANICAL

CONTACT: BREAK BEFORE MAKE
 ACTUATOR: LATCHING
 SWITCHING SPEED: 20 mSEC MAX

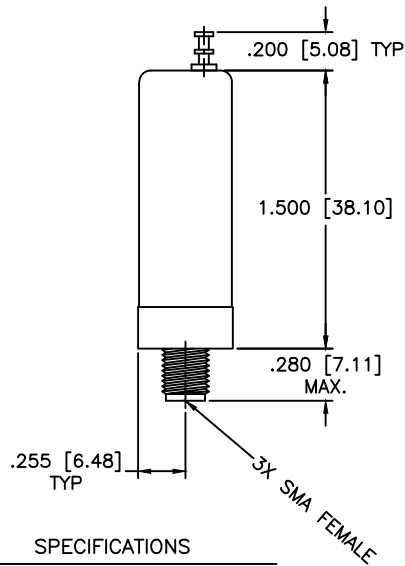
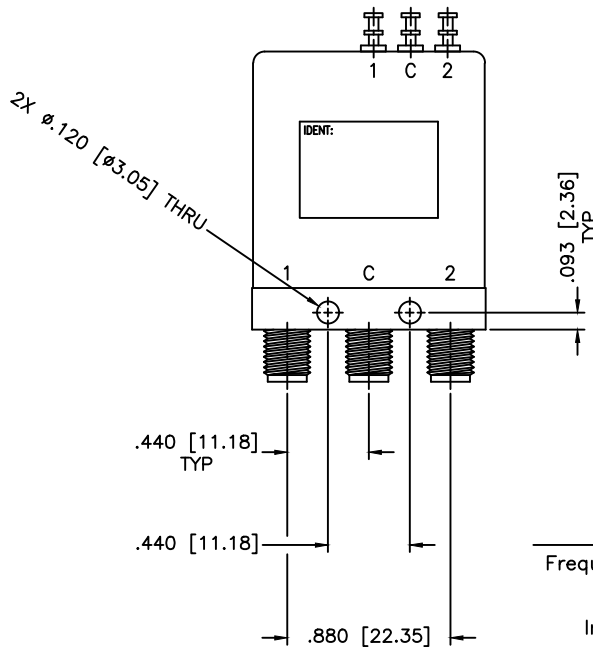
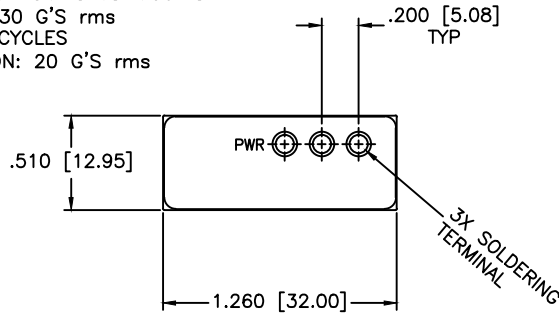
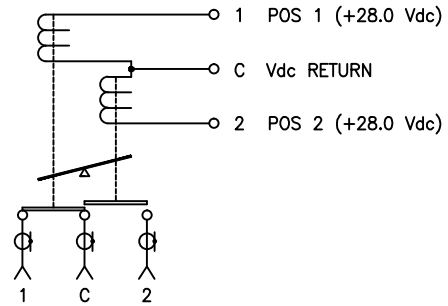
ELECTRICAL

ACTUATOR VOLTAGE: 28.0 Vdc
 ACTUATOR CURRENT: 0.100 A MAX @ 28.0 Vdc
 POWER HANDLING: 200W CW @ 1.0 GHz

ENVIRONMENTAL

OPERATING TEMP: -54° C TO +90° C
 SINE VIBRATION: 30 G'S rms
 LIFE: 1,000,000 CYCLES
 RANDOM VIBRATION: 20 G'S rms

SCHEMATIC, LATCHING



SPECIFICATIONS

Frequency Range: DC-26.5 GHz
 VSWR: 1.60:1 Max.
 Insertion Loss: 0.70dB
 Isolation: 50dB
 Impedance: 50 Ohms

MATERIAL:			MICROWAVE COMMUNICATIONS LABORATORIES INC. 7255 30TH AVE. N. SAINT PETERSBURG, FL 33710 TEL: (727) 344-6254 FAX: (727) 381-6116 http://WWW.MCLI.COM		SCALE:	N/A
					SHEET:	N/A
UNLESS OTHERWISE SPECIFIED: TOLERANCES IN (INCHES) OR [mm] (MILLIMETERS) FRACTIONS: ± 1/64 DECIMALS: ±.02 ±.009 ANGLE: ±1/2°		DRAWING TITLE: COAXIAL RF SWITCHES				
DRAWN: Paiboon Luexhamhan		DATE: 03-04-2001		PART NO. K2-8-L		
APPROVED: T. Nguyen		DATE: 03-04-2001		CAGE CODE: OD2L5	SIZE: A	REV: N/A
		PROPRIETARY NOTICE: THE INFORMATION IN THIS DRAWING IS PROPRIETARY AND SHALL NOT BE USED OR DISCLOSED WITHOUT WRITTEN PERMISSION FROM MICROWAVE COMMUNICATIONS LABORATORIES INC. (MCLI)		DWG NO. 82185		
		THIRD ANGLE PROJECTION 		DO NOT SCALE THE DRAWING		