

| REVISIONS | | | | |
|-----------|-----|-------------|------|----------|
| ZONE | REV | DESCRIPTION | DATE | APPROVED |

MECHANICAL

CONTACT: BREAK BEFORE MAKE
 ACTUATOR: FAILSAFE
 SWITCHING SPEED: 20 mSEC MAX

ELECTRICAL

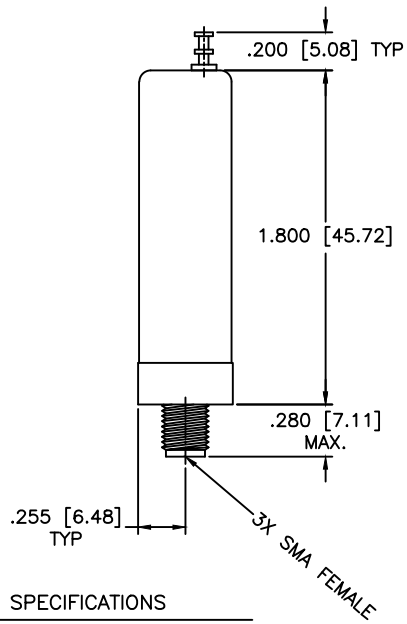
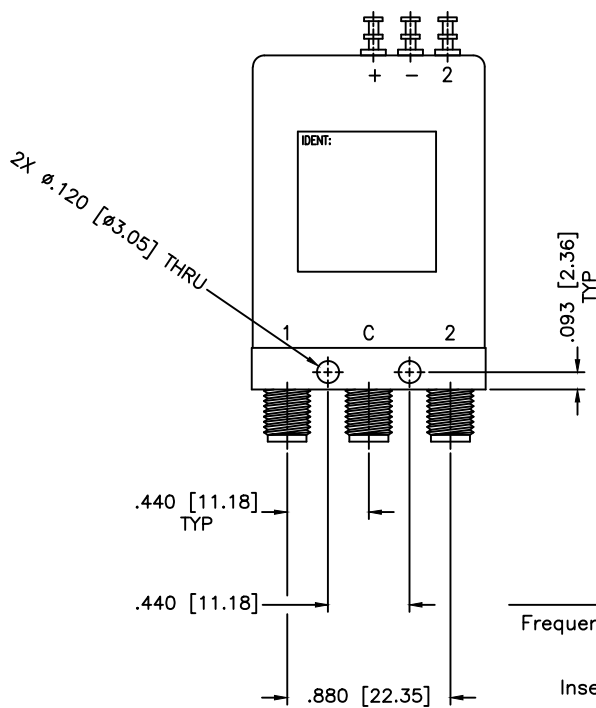
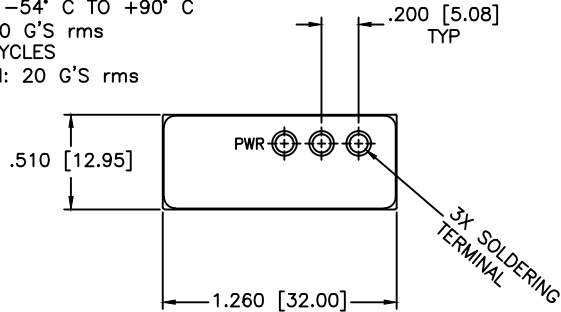
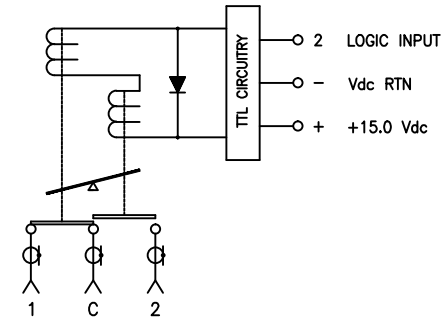
ACTUATOR VOLTAGE: 15.0 Vdc
 ACTUATOR CURRENT: 0.100 A MAX @ 15.0 Vdc
 POWER HANDLING: 200W CW @ 1.0 GHz

ENVIRONMENTAL

OPERATING TEMP: -54° C TO +90° C
 SINE VIBRATION: 30 G'S rms
 LIFE: 1,000,000 CYCLES
 RANDOM VIBRATION: 20 G'S rms

SCHEMATIC

FAILSAFE, SUPPRESSION DIODE, TTL



SPECIFICATIONS

Frequency Range: DC-12.4 GHz
 VSWR: 1.40:1 Max.
 Insertion Loss: 0.40dB
 Isolation: 70dB
 Impedance: 50 Ohms

| | | | | | | | |
|--------------------|------------|-----------------------------------------------------------------------------------------------------------------------------------------------------------------------------------------------------|--------------------------------------------------------------------------------------------------------------------------------------------------------------|----------------|--------|---------|---------------------|
| MATERIAL: | | | MICROWAVE COMMUNICATIONS LABORATORIES INC. 7255 30TH AVE. N. SAINT PETERSBURG, FL 33710 TEL: (727) 344-6254 FAX: (727) 381-6116 http://WWW.MCLI.COM | | SCALE: | N/A | |
| | | | | | SHEET: | N/A | |
| | | UNLESS OTHERWISE SPECIFIED: TOLERANCES IN (INCHES) OR [mm] (MILLIMETERS) FRACTIONS: ± 1/64 DECIMALS: ±.02 ±.009 ANGLE: ±1/2° | | DRAWING TITLE: | | | COAXIAL RF SWITCHES |
| | | PROPRIETARY NOTICE: THE INFORMATION IN THIS DRAWING IS PROPRIETARY AND SHALL NOT BE USED OR DISCLOSED WITHOUT WRITTEN PERMISSION FROM MICROWAVE COMMUNICATIONS LABORATORIES INC. (MCLI) | | PART NO. | | | K2-6-FSL/15 |
| DRAWN: | DATE: | | CAGE CODE: | SIZE: | REV: | DWG NO. | |
| Paiboon Luekhamhan | 04-02-2001 | | OD2L5 | A | N/A | 81761 | |
| APPROVED: | DATE: | DO NOT SCALE THE DRAWING | | | | | |
| T. Nguyen | 04-02-2001 | | | | | | |