

REVISIONS				
ZONE	REV	DESCRIPTION	DATE	APPROVED

MECHANICAL

CONTACT: BREAK BEFORE MAKE
 ACTUATOR: LATCHING
 SWITCHING SPEED: 20mSEC Max.

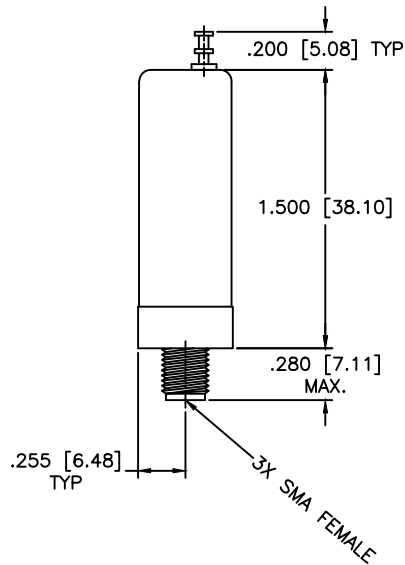
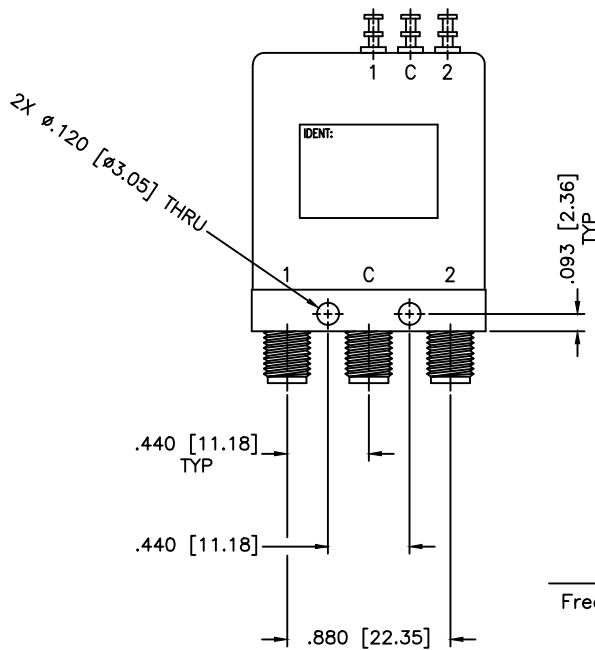
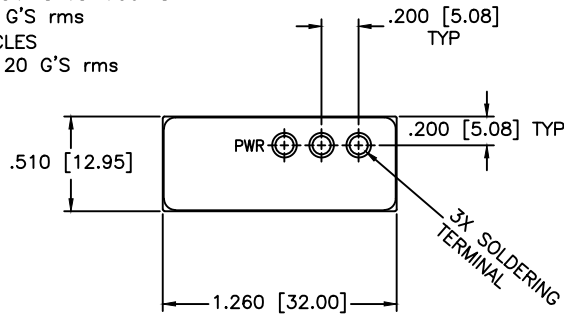
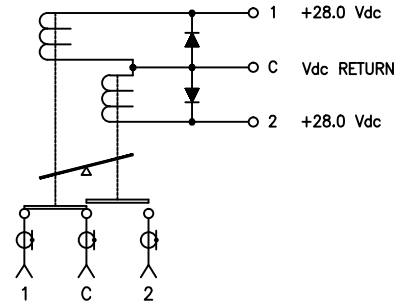
ELECTRICAL

ACTUATOR VOLTAGE: 28.0Vdc (22.0–32.0 Vdc)
 ACTUATOR CURRENT: 0.100A Max. @ 28.0Vdc
 POWER HANDLING: 200W CW @ 1.0GHz

ENVIRONMENTAL

OPERATING TEMP: -54° C TO +90° C
 SINE VIBRATION: 30 G'S rms
 LIFE: 1,000,000 CYCLES
 RANDOM VIBRATION: 20 G'S rms

SCHEMATIC
 SHOWN IN LATCHING, SUPPRESSION DIODE



SPECIFICATIONS

Frequency Range: DC–4.0 GHz
 VSWR: 1.25:1 Max.
 Insertion Loss: 0.25dB
 Isolation: 80dB
 Impedance: 50 Ohms

MATERIAL:		MICROWAVE COMMUNICATIONS LABORATORIES INC. 7255 30TH AVE. N. SAINT PETERSBURG, FL 33710 TEL: (727) 344-6254 FAX: (727) 381-6116 http://WWW.MCLI.COM		SCALE:	N/A
				SHEET:	N/A
UNLESS OTHERWISE SPECIFIED: TOLERANCES IN (INCHES) OR [mm] (MILLIMETERS) FRACTIONS: ± 1/64 DECIMALS: ±.02 ±.009 ANGLE: ±1/2°		DRAWING TITLE: COAXIAL RF SWITCHES			
DRAWN: Paiboon Luexhamhan		DATE: 04-03-2001		PART NO. K2-3-LS	
APPROVED: T. Nguyen		DATE: 04-03-2001		CAGE CODE: OD2L5	SIZE: A REV: A DWG NO. 81660
THIRD ANGLE PROJECTION		DO NOT SCALE THE DRAWING			