

REVISIONS				
ZONE	REV	DESCRIPTION	DATE	APPROVED

**MECHANICAL**

CONTACT: BREAK BEFORE MAKE  
 ACTUATOR: LATCHING  
 SWITCHING SPEED: 20 mSEC MAX

**ELECTRICAL**

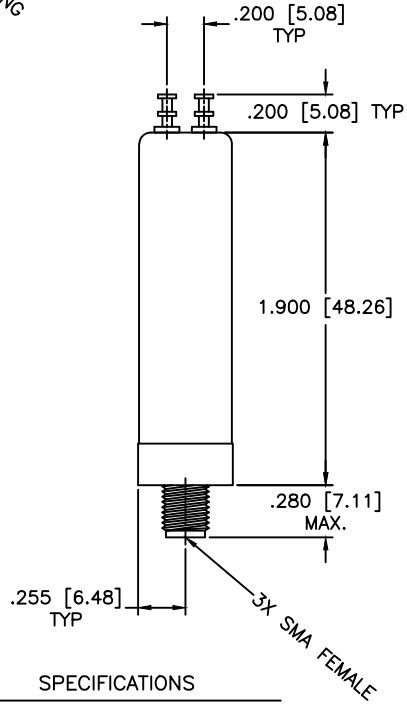
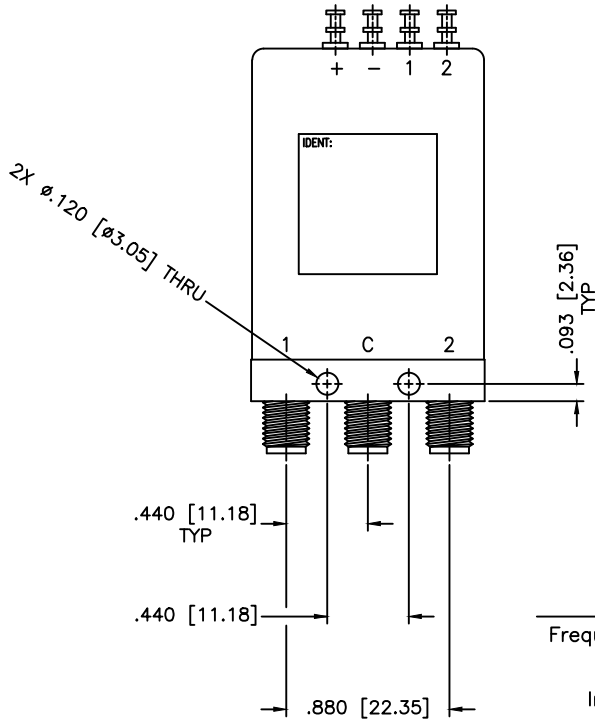
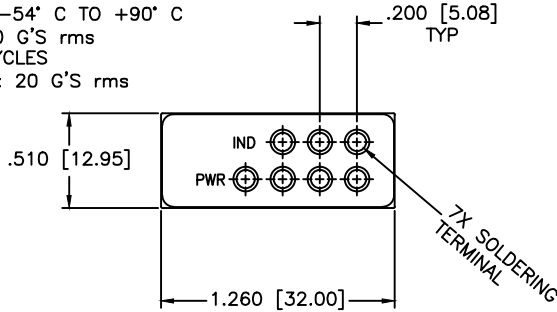
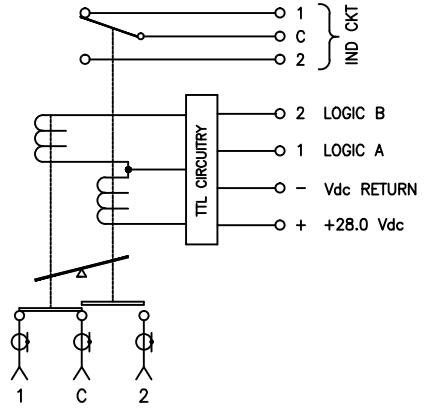
ACTUATOR VOLTAGE: 28.0 Vdc (22.0-32.0Vdc)  
 ACTUATOR CURRENT: 0.100 A MAX @ 28.0 Vdc  
 POWER HANDLING: 200W CW @ 1.0 GHz

**ENVIRONMENTAL**

OPERATING TEMP: -54° C TO +90° C  
 SINE VIBRATION: 30 G'S rms  
 LIFE: 1,000,000 CYCLES  
 RANDOM VIBRATION: 20 G'S rms

**SCHEMATIC**

SHOWN IN LATCHING, INDICATOR, TTL



**SPECIFICATIONS**

Frequency Range: DC-4.0 GHz  
 VSWR: 1.25:1 Max.  
 Insertion Loss: 0.25dB  
 Isolation: 80dB  
 Impedance: 50 Ohms

MATERIAL:	
DRAWN: Paiboon Luexhamhan	DATE: 03-13-2001
APPROVED: T. Nguyen	DATE: 03-13-2001

**MCLI** MICROWAVE COMMUNICATIONS LABORATORIES INC.  
 7255 30TH AVE. N. SAINT PETERSBURG, FL 33710  
 TEL: (727) 344-6254 FAX: (727) 381-6116  
 http://WWW.MCLI.COM

SCALE:	N/A
SHEET:	N/A

UNLESS OTHERWISE SPECIFIED: TOLERANCES IN (INCHES) OR [mm] (MILLIMETERS) FRACTIONS: ± 1/64 DECIMALS: ±.02 ±.009 ANGLE: ±1/2°		DRAWING TITLE: COAXIAL RF SWITCHES	
PROPRIETARY NOTICE: THE INFORMATION IN THIS DRAWING IS PROPRIETARY AND SHALL NOT BE USED OR DISCLOSED WITHOUT WRITTEN PERMISSION FROM MICROWAVE COMMUNICATIONS LABORATORIES INC. (MCLI)		PART NO. K2-3-LIL/28	
CAGE CODE: OD2L5	SIZE: A	REV: A	DWG NO. 83091
DO NOT SCALE THE DRAWING			

