

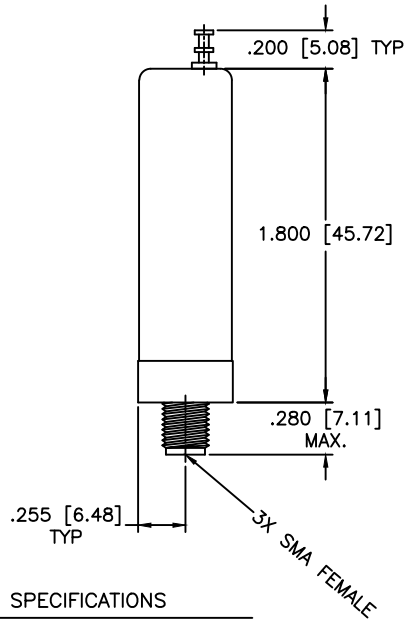
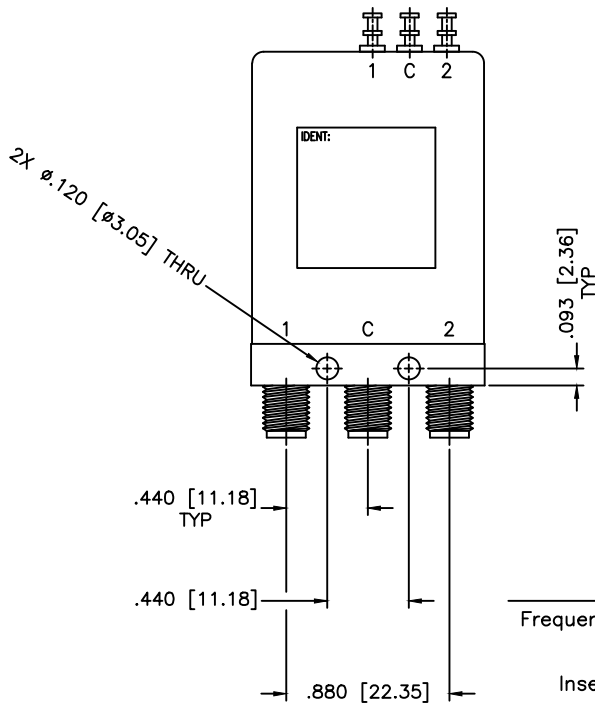
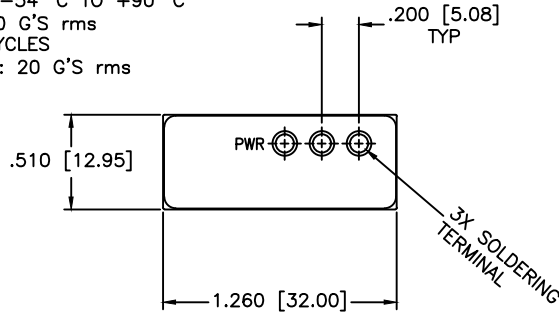
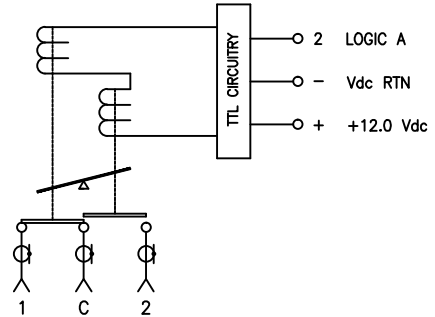
REVISIONS				
ZONE	REV	DESCRIPTION	DATE	APPROVED

MECHANICAL
 CONTACT: BREAK BEFORE MAKE
 ACTUATOR: FAILSAFE
 SWITCHING SPEED: 20 mSEC MAX

ELECTRICAL
 ACTUATOR VOLTAGE: 12.0 Vdc
 ACTUATOR CURRENT: 0.100 A MAX @ 12.0 Vdc
 POWER HANDLING: 200W CW @ 1.0 GHz

ENVIRONMENTAL
 OPERATING TEMP: -54° C TO +90° C
 SINE VIBRATION: 30 G'S rms
 LIFE: 1,000,000 CYCLES
 RANDOM VIBRATION: 20 G'S rms

SCHMATIC
 SHOWN IN FAILSAFE, TTL



SPECIFICATIONS

Frequency Range: DC-4.0 GHz
 VSWR: 1.25:1 Max.
 Insertion Loss: 0.25dB
 Isolation: 80dB
 Impedance: 50 Ohms

MATERIAL:		MICROWAVE COMMUNICATIONS LABORATORIES INC. 7255 30TH AVE. N. SAINT PETERSBURG, FL 33710 TEL: (727) 344-6254 FAX: (727) 381-6116 http://WWW.MCLI.COM		SCALE:	N/A
				SHEET:	N/A
UNLESS OTHERWISE SPECIFIED: TOLERANCES IN (INCHES) OR [mm] (MILLIMETERS) FRACTIONS: ± 1/64 DECIMALS: ±.02 ±.009 ANGLE: ±1/2°		DRAWING TITLE: COAXIAL RF SWITCHES			
DRAWN: Paiboon Luekhamhan		DATE: 04-03-2001		PART NO. K2-3-FL/12	
APPROVED: T. Nguyen		DATE: 04-03-2001		CAGE CODE: OD2L5	SIZE: A REV: N/A DWG NO.: 81647
PROPRIETARY NOTICE: THE INFORMATION IN THIS DRAWING IS PROPRIETARY AND SHALL NOT BE USED OR DISCLOSED WITHOUT WRITTEN PERMISSION FROM MICROWAVE COMMUNICATIONS LABORATORIES INC. (MCLI)		THIRD ANGLE PROJECTION 			
DO NOT SCALE THE DRAWING					