

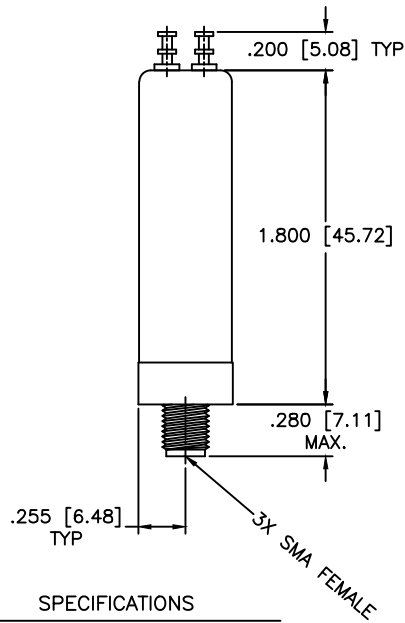
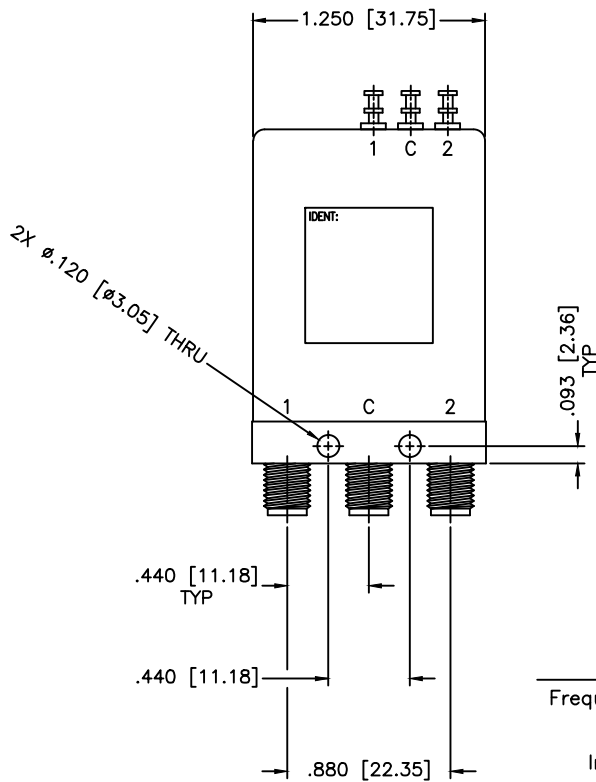
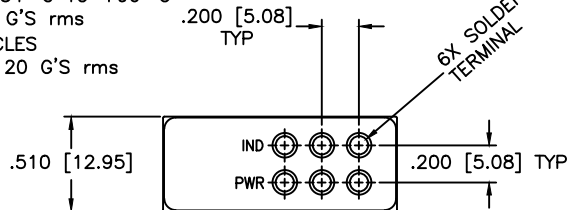
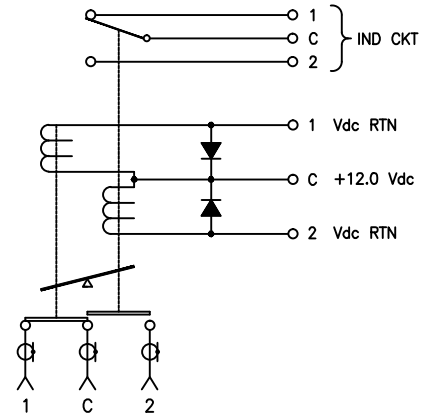
REVISIONS				
ZONE	REV	DESCRIPTION	DATE	APPROVED

MECHANICAL  
 CONTACT: BREAK BEFORE MAKE  
 ACTUATOR: LATCHING  
 SWITCHING SPEED: 20mSEC Max.

ELECTRICAL  
 ACTUATOR VOLTAGE: 12.0Vdc  
 ACTUATOR CURRENT: 0.100A Max. @ 12.0Vdc  
 POWER HANDLING: 200W CW @ 1.0GHZ

ENVIRONMENTAL  
 OPERATING TEMP: -54° C TO +90° C  
 SINE VIBRATION: 30 G'S rms  
 LIFE: 1,000,000 CYCLES  
 RANDOM VIBRATION: 20 G'S rms

SCHMATIC  
 LATCHING, INDICATOR, SUPPRESSION DIODE



SPECIFICATIONS

Frequency Range: DC-2.0 GHz  
 VSWR: 1.20:1 Max.  
 Insertion Loss: 0.20dB  
 Isolation: 90dB  
 Impedance: 50 Ohms

MATERIAL:			MICROWAVE COMMUNICATIONS LABORATORIES INC. 7255 30TH AVE. N. SAINT PETERSBURG, FL 33710 TEL: (727) 344-6254 FAX: (727) 381-6116 http://WWW.MCLI.COM		SCALE:	N/A
					SHEET:	N/A
UNLESS OTHERWISE SPECIFIED: TOLERANCES IN (INCHES) OR [mm] (MILLIMETERS) FRACTIONS: ± 1/64 DECIMALS: ±.02 ±.009 ANGLE: ±1/2°		DRAWING TITLE: COAXIAL RF SWITCHES				
DRAWN: Paiboon Luekhamhan		DATE: 04-03-2001		PART NO. K2-2-LIS/12P		
APPROVED: T. Nguyen		DATE: 04-03-2001		CAGE CODE:	SIZE: A	REV: N/A
THIRD ANGLE PROJECTION				OD2L5	DWG NO. 81652	
DO NOT SCALE THE DRAWING						