

REVISIONS				
ZONE	REV	DESCRIPTION	DATE	APPROVED

**MECHANICAL**

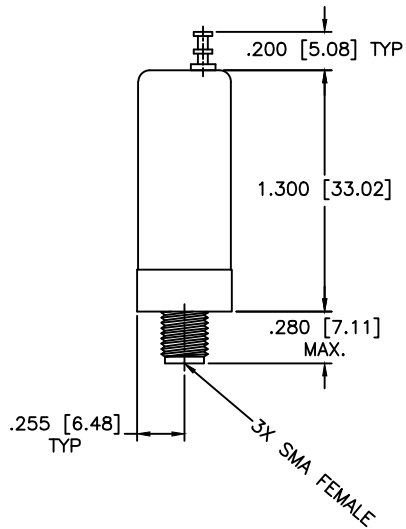
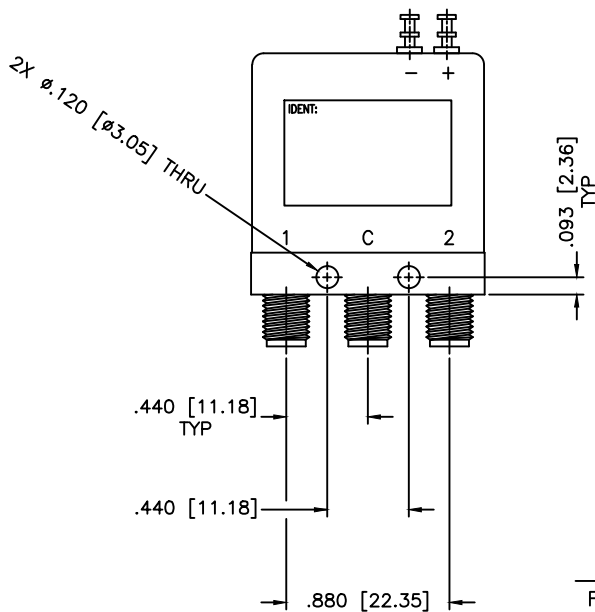
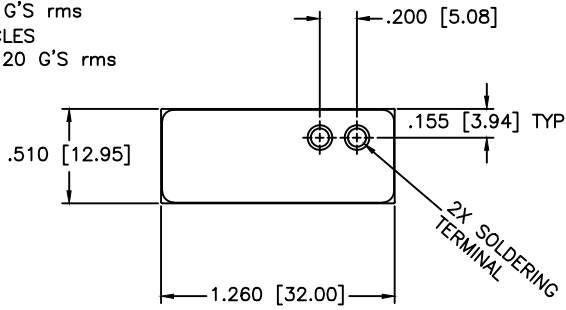
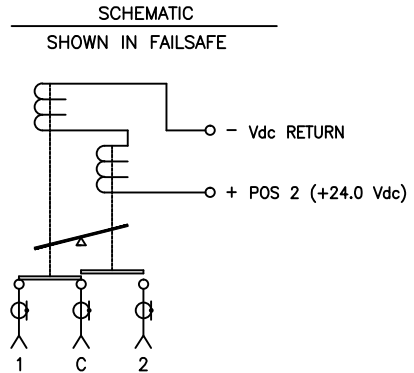
CONTACT: BREAK BEFORE MAKE  
 ACTUATOR: FAILSAFE  
 SWITCHING SPEED: 20mSEC Max.

**ELECTRICAL**

ACTUATOR VOLTAGE: 24.0Vdc  
 ACTUATOR CURRENT: 0.100A Max. @ 24.0Vdc  
 POWER HANDLING: 200W CW @ 1.0GHz

**ENVIRONMENTAL**

OPERATING TEMP: -54° C TO +90° C  
 SINE VIBRATION: 30 G'S rms  
 LIFE: 1,000,000 CYCLES  
 RANDOM VIBRATION: 20 G'S rms



**SPECIFICATIONS**

Frequency Range: DC-1.0 GHz  
 VSWR: 1.20:1 Max.  
 Insertion Loss: 0.20dB  
 Isolation: 90dB  
 Impedance: 50 Ohms

MATERIAL:			MICROWAVE COMMUNICATIONS LABORATORIES INC. 7255 30TH AVE. N. SAINT PETERSBURG, FL 33710 TEL: (727) 344-6254 FAX: (727) 381-6116 http://WWW.MCLI.COM		SCALE:	N/A		
					SHEET:	N/A		
		UNLESS OTHERWISE SPECIFIED: TOLERANCES IN (INCHES) OR [mm] (MILLIMETERS) FRACTIONS: ± 1/64 DECIMALS: ±.02 ±.009 ANGLE: ±1/2°		DRAWING TITLE:			ELECTROMECHANICAL SWITCHES	
DRAWN:		DATE:	PROPRIETARY NOTICE: THE INFORMATION IN THIS DRAWING IS PROPRIETARY AND SHALL NOT BE USED OR DISCLOSED WITHOUT WRITTEN PERMISSION FROM MICROWAVE COMMUNICATIONS LABORATORIES INC. (MCLI)		PART NO.			K2-1-F/24
APPROVED:		DATE:	THIRD ANGLE PROJECTION		CAGE CODE:	SIZE:	REV:	DWG NO.
T. Nguyen		04-03-2001			OD2L5	A	N/A	81644
DO NOT SCALE THE DRAWING								