

MECHANICAL

CONTACT: BREAK BEFORE MAKE
 ACTUATOR: FAILSAFE
 SWITCHING SPEED: 20 mSEC MAX

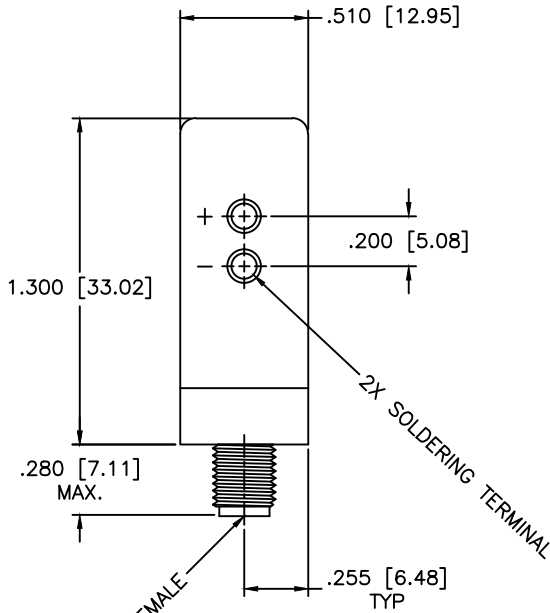
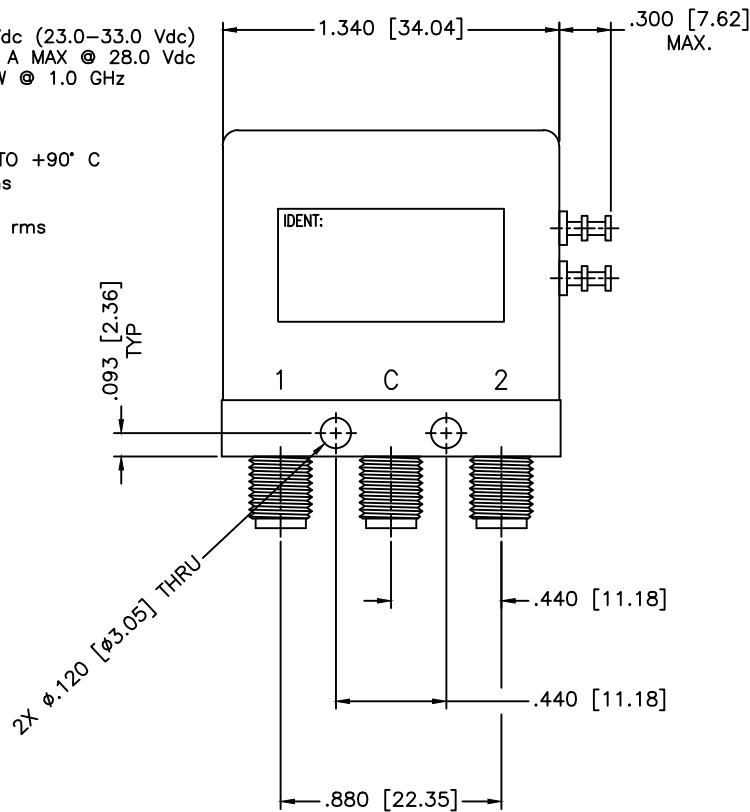
ELECTRICAL

ACTUATOR VOLTAGE: 28.0 Vdc (23.0–33.0 Vdc)
 ACTUATOR CURRENT: 0.100 A MAX @ 28.0 Vdc
 POWER HANDLING: 200W CW @ 1.0 GHz

ENVIRONMENTAL

OPERATING TEMP: -54° C TO +90° C
 SINE VIBRATION: 30 G'S rms
 LIFE: 1,000,000 CYCLES
 RANDOM VIBRATION: 20 G'S rms

REVISIONS				
ZONE	REV	DESCRIPTION	Date	APPROVED

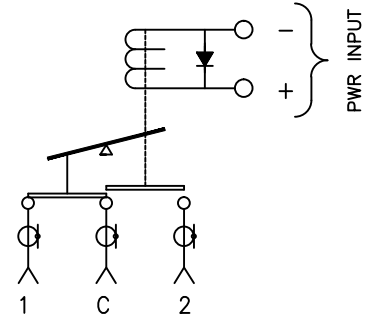


SPECIFICATIONS

Frequency Range: DC–6.0 GHz
 VSWR: 1.30:1 Max.
 Insertion Loss: 0.30dB
 Isolation: 80dB
 Impedance: 50 Ohms

SCHEMATIC

FAILSAFE, SUPPRESSION DIODE



MATERIAL:	
DRAWN: Paiboon Luengkhamhan	DATE: 04-02-2001
APPROVED: T. Nguyen	DATE: 04-02-2001



MICROWAVE COMMUNICATIONS LABORATORIES INC.
 7255 30TH AVE. N. SAINT PETERSBURG, FL 33710
 TEL: (727) 344-6254 FAX: (727) 381-6116
 http://WWW.MCLI.COM

SCALE:	N/A
SHEET:	N/A

UNLESS OTHERWISE SPECIFIED:
 TOLERANCES
 IN (INCHES) OR [mm] (MILLIMETERS)
 FRACTIONS: ± 1/64
 DECIMALS: ±.01 ±.005
 ANGLE: ±1/2°

DRAWING TITLE:
ELECTROMECHANICAL SWITCHES

PART NO.
K1-4-FS

PROPRIETARY NOTICE:
 THE INFORMATION IN THIS DRAWING IS PROPRIETARY
 AND SHALL NOT BE USED OR DISCLOSED WITHOUT WRITTEN
 PERMISSION FROM MICROWAVE COMMUNICATIONS
 LABORATORIES INC. (MCLI)
 THIRD ANGLE PROJECTION

CAGE CODE: OD2L5	SIZE: N/A	REV: N/A	DWG. NO. 82170
DO NOT SCALE THE DRAWING			