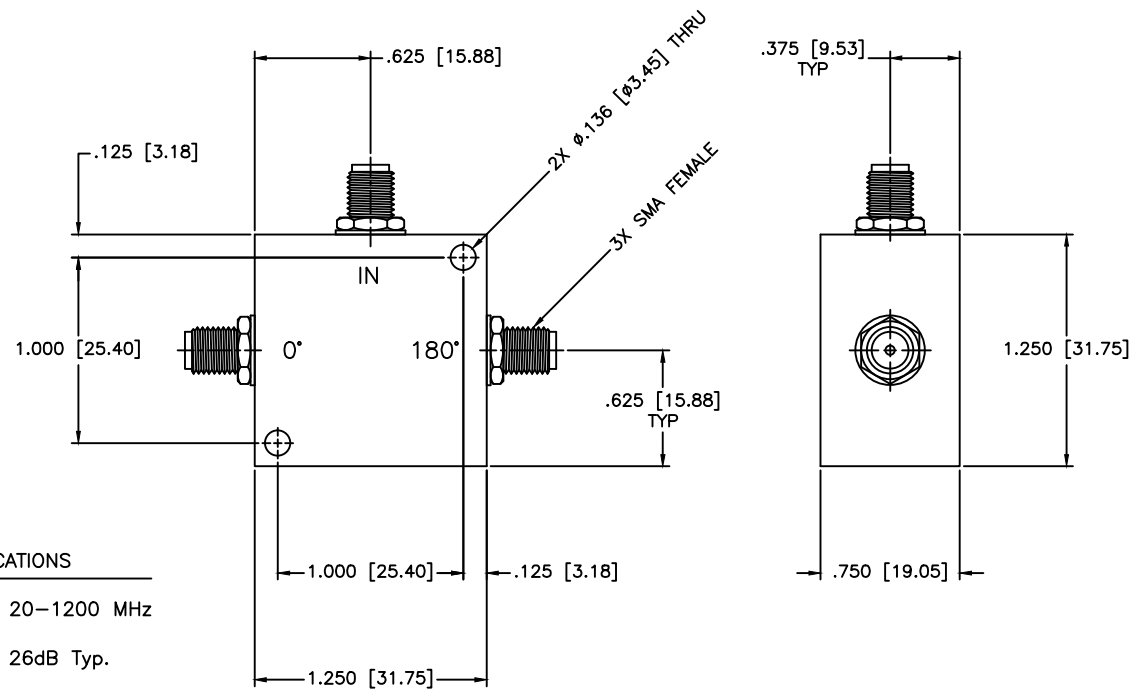


REVISIONS				
ZONE	REV	DESCRIPTION	DATE	APPROVED



SPECIFICATIONS

- Frequency Range: 20–1200 MHz
- Isolation: 26dB Typ.
- VSWR: 1.30:1 Typ.
- Insertion Loss: 1.6dB Max.
- Amplitude Balance: 0.4dB Max.
- Phase Balance: 4 Deg. Max.
- Power Rating: 1 Watt Max.
- Operating Temperature: -40°C to +85°C

MATERIAL:		MCLI	MICROWAVE COMMUNICATIONS LABORATORIES INC. 7255 30TH AVE. N. SAINT PETERSBURG, FL 33710 TEL: (727) 344-6254 FAX: (727) 381-6116 http://WWW.MCLI.COM		SCALE: N/A
UNLESS OTHERWISE SPECIFIED: TOLERANCES IN (INCHES) OR [mm] (MILLIMETERS) FRACTIONS: ± 1/64 DECIMALS: ± .015 ANGLE: ± 1/2°			DRAWING TITLE: 180° HYBRID, 3 PORTS		
		DRAWN: Paitoon Luexhamhan		DATE: 07-13-2011	
APPROVED: T. Nguyen		DATE: 07-13-2011		PART NO. JL-26	
THIRD ANGLE PROJECTION		CAGE CODE: OD2L5	SIZE: A		REV: N/A
		DO NOT SCALE THE DRAWING			