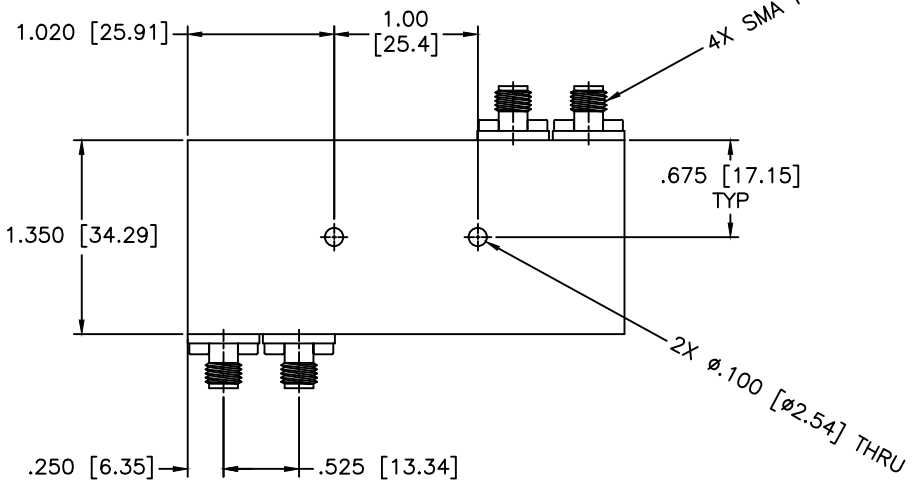
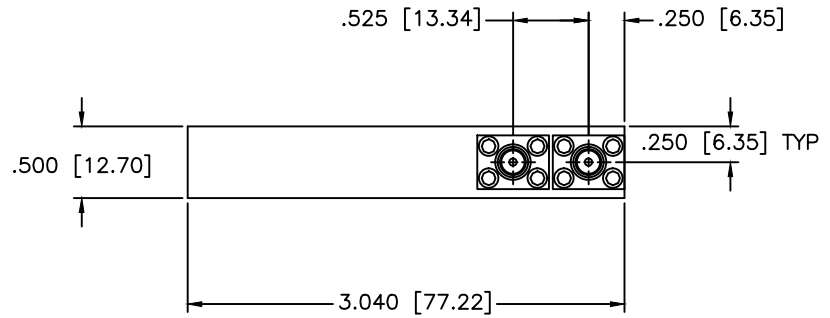


REVISIONS				
ZONE	REV	DESCRIPTION	DATE	APPROVED



SPECIFICATIONS

- Frequency Range: 2–6 GHz
- Isolation: 20dB Min.
- VSWR: 1.40:1 Max.
- Insertion Loss: 1.4dB Max.
- Amplitude Balance: ±0.6dB
- Phase Balance: ±6 Deg. Max.

MATERIAL:		MICROWAVE COMMUNICATIONS LABORATORIES INC. 7255 30TH AVE. N. SAINT PETERSBURG, FL 33710 TEL: (727) 344-6254 FAX: (727) 381-6116 http://WWW.MCLI.COM		SCALE: N/A	
				SHEET: N/A	
UNLESS OTHERWISE SPECIFIED: TOLERANCES IN (INCHES) OR [mm] (MILLIMETERS) FRACTIONS: ± 1/64 DECIMALS: ±.01 ±.005 ANGLE: ±1/2°		DRAWING TITLE: 180° HYBRID			
		PART NO. HJ-33			
DRAWN: Paiboon Luekhamhan	DATE: 04-17-2008	CAGE CODE: OD2L5		SIZE: N/A	REV: N/A
APPROVED: T. Nguyen	DATE: 04-17-2008	DO NOT SCALE THE DRAWING		DWG NO. 83835	

PROPRIETARY NOTICE:
 THE INFORMATION IN THIS DRAWING IS PROPRIETARY
 AND SHALL NOT BE USED OR DISCLOSED WITHOUT WRITTEN
 PERMISSION FROM MICROWAVE COMMUNICATIONS
 LABORATORIES INC. (MCLI)

