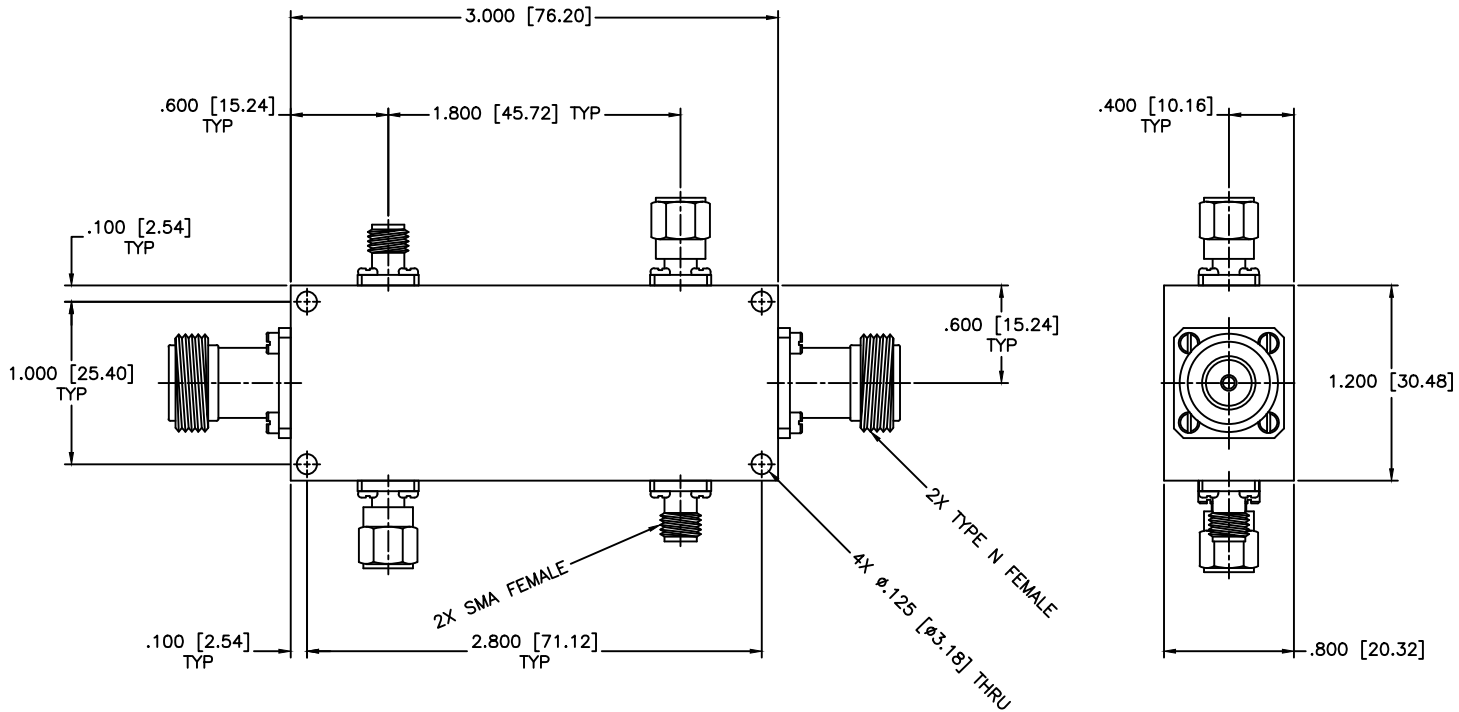


REVISIONS				
ZONE	REV	DESCRIPTION	DATE	APPROVED



**SPECIFICATIONS**

- Frequency Range: 4–8 GHz
- Directivity: 18dB Min.
- Frequency Sensitivity:  $\pm 0.75$ dB
- Power: 600 Watts
- VSWR: 1.35:1 Max.
- Insertion Loss: 0.40dB Max.

MATERIAL:			MICROWAVE COMMUNICATIONS LABORATORIES INC. 7255 30TH AVE. N. SAINT PETERSBURG, FL 33710 TEL: (727) 344-6254 FAX: (727) 381-6116 http://WWW.MCLI.COM		SCALE: N/A	
			UNLESS OTHERWISE SPECIFIED: TOLERANCES IN (INCHES) OR [mm] (MILLIMETERS) FRACTIONS: $\pm 1/64$ DECIMALS: $\pm 0.01 \pm 0.005$ ANGLE: $\pm 1/2^\circ$		SHEET: N/A	
DRAWING TITLE:		HIGH POWER DUAL DIRECTIONAL COUPLER				
PART NO.:		HD-6-X				
DRAWN:	DATE:	PROPRIETARY NOTICE: THE INFORMATION IN THIS DRAWING IS PROPRIETARY AND SHALL NOT BE USED OR DISCLOSED WITHOUT WRITTEN PERMISSION FROM MICROWAVE COMMUNICATIONS LABORATORIES INC. (MCLI)	CAGE CODE:	SIZE:	REV:	DWG. NO.:
APPROVED:	DATE:		OD2L5	A	A	80578
			DO NOT SCALE THE DRAWING			