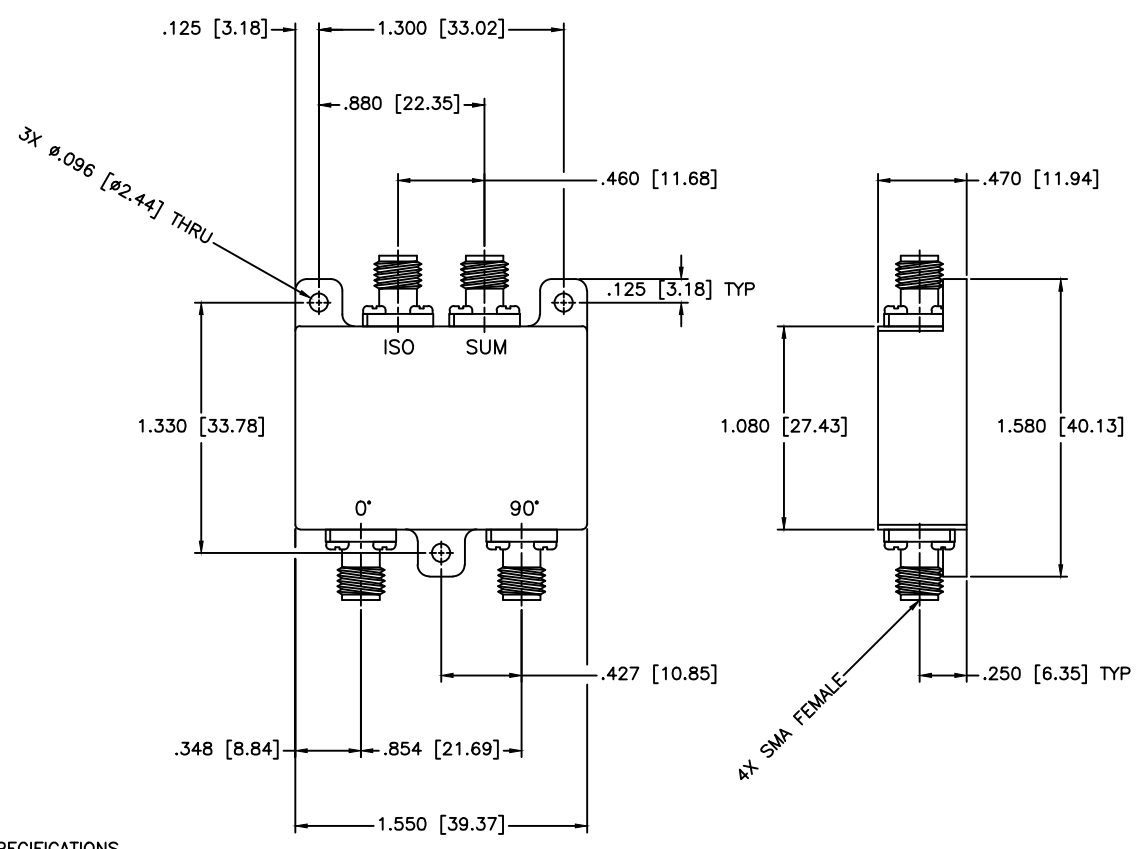


REVISIONS				
ZONE	REV	DESCRIPTION	Date	APPROVED



SPECIFICATIONS

- Frequency Range: 0.8–4.2 GHz
- Coupling: -3dB Nom.
- Isolation: 18dB Min.
- VSWR: 1.35:1 Max.
- Insertion Loss: 0.55dB Max.
- Amplitude Balance: ±0.5dB Max.
- Phase Balance: 90° ±5° Max.
- Power: 100 Watts CW

MATERIAL:		MCLI MICROWAVE COMMUNICATIONS LABORATORIES INC. 7255 30TH AVE. N. SAINT PETERSBURG, FL 33710 TEL: (727) 344-6254 FAX: (727) 381-6116 http://WWW.MCLI.COM	SCALE:	N/A
			SHEET:	N/A
UNLESS OTHERWISE SPECIFIED: TOLERANCES IN (INCHES) OR [mm] (MILLIMETERS) FRACTIONS: ± 1/64 DECIMALS: ±.02 ±.015 ANGLE: ±1/2°		DRAWING TITLE: 90° HYBRID COUPLER		
DRAWN: Paiboon Luekhamhan		PART NO. HB-73		
DATE: 11-22-2011	DATE: 11-22-2011	CAGE CODE: OD2L5		
APPROVED: T. Nguyen	DATE: 11-22-2011	SIZE: A	REV: N/A	DWG. NO. 85935
<small>PROPRIETARY NOTICE: THE INFORMATION IN THIS DRAWING IS PROPRIETARY AND SHALL NOT BE USED OR DISCLOSED WITHOUT WRITTEN PERMISSION FROM MICROWAVE COMMUNICATIONS LABORATORIES INC. (MCLI)</small>		<small>THIRD ANGLE PROJECTION</small> 		
		DO NOT SCALE THE DRAWING		