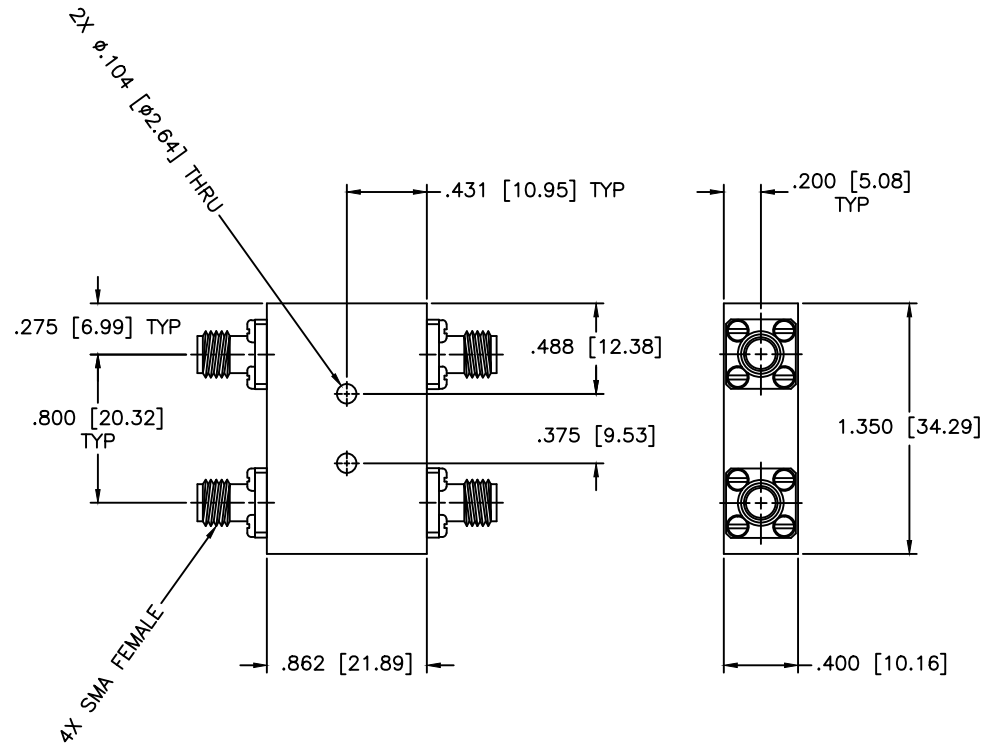


REVISIONS				
ZONE	REV	DESCRIPTION	DATE	APPROVED



SPECIFICATIONS

- Frequency Range: 8–18 GHz
- Coupling: 4.5dB ±1.0dB
- VSWR: 1.80:1 Max.
- Frequency Sensitivity: ±1.0dB
- Isolation: 12dB Min.
- Operating Power: 10W Avg. / 3kW Peak

MATERIAL:			MICROWAVE COMMUNICATIONS LABORATORIES INC. 7255 30TH AVE. N. SAINT PETERSBURG, FL 33710 TEL: (727) 344-6254 FAX: (727) 381-6116 http://WWW.MCLI.COM		SCALE:	N/A	
			UNLESS OTHERWISE SPECIFIED: TOLERANCES IN (INCHES) OR [mm] (MILLIMETERS) FRACTIONS: ± 1/64 DECIMALS: ±.01 ±.005 ANGLE: ±1/2°	DRAWING TITLE:		90° HYBRID	
DRAWN:		DATE:		PART NO.		HB-39	
Paiboon Luekhamhan		08-14-2007		CAGE CODE:		SIZE:	REV:
APPROVED:		DATE:		OD2L5		A	N/A
T. Nguyen		08-14-2007		DO NOT SCALE THE DRAWING		DWG NO.	
						82911	