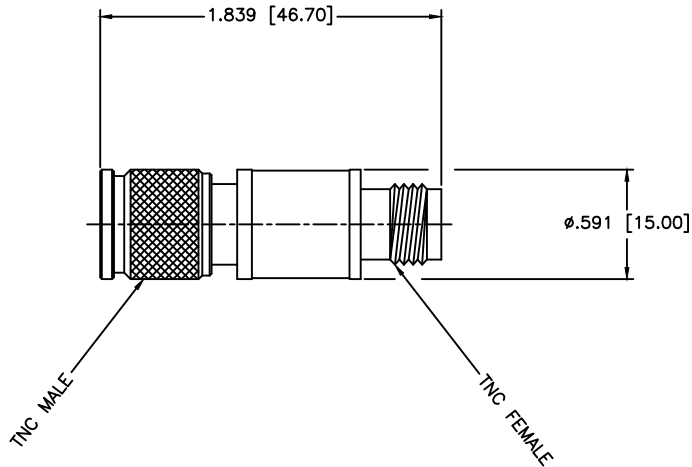


REVISIONS				
ZONE	REV	DESCRIPTION	DATE	APPROVED

PART NUMBER	ATTENUATION	ACCURACY
FAT-01-MF	-1dB	±0.3dB
FAT-02-MF	-2dB	±0.3dB
FAT-03-MF	-3dB	±0.3dB
FAT-04-MF	-4dB	±0.3dB
FAT-05-MF	-5dB	±0.3dB
FAT-06-MF	-6dB	±0.3dB
FAT-07-MF	-7dB	±0.3dB
FAT-08-MF	-8dB	±0.3dB
FAT-09-MF	-9dB	±0.3dB
FAT-10-MF	-10dB	±0.5dB
FAT-15-MF	-15dB	±0.5dB
FAT-20-MF	-20dB	±1.0dB
FAT-30-MF	-30dB	±1.0dB
FAT-40-MF	-40dB	±1.5dB



SPECIFICATIONS

Frequency Range: DC-2 GHz
 VSWR: 1.20:1 Max.
 Power Rating: 1 Watt
 Impedance: 50 Ohms
 Temperature Range: -60°C to +165°C

MATERIAL AND FINISHING

Nickel Plated Brass Body
 Gold Plated Beryllium Copper Contact Probe
 PTFE Teflon Insulator

MATERIAL:		MICROWAVE COMMUNICATIONS LABORATORIES INC. 7255 30TH AVE. N. SAINT PETERSBURG, FL 33710 TEL: (727) 344-6254 FAX: (727) 381-6116 http://WWW.MCLI.COM	SCALE:	N/A
			SHEET:	N/A
		UNLESS OTHERWISE SPECIFIED: TOLERANCES IN (INCHES) OR [mm] (MILLIMETERS) FRACTIONS: ± 1/64 DECIMALS: ±.01 ±.005 ANGLE: ±1/2°	DRAWING TITLE: COAXIAL TNC ATTENUATOR	
		PROPRIETARY NOTICE: THE INFORMATION IN THIS DRAWING IS PROPRIETARY AND SHALL NOT BE USED OR DISCLOSED WITHOUT WRITTEN PERMISSION FROM MICROWAVE COMMUNICATIONS LABORATORIES INC. (MCLI)	PART NO. FAT-dB-MF	
DRAWN:	DATE:	CAGE CODE: OD2L5	SIZE:	REV:
Paiboon Luekhamhan	12-07-1997		A	N/A
APPROVED:	DATE:	THIRD ANGLE PROJECTION 	DWG NO.	
T. Nguyen	12-07-1997		83775	
			DO NOT SCALE THE DRAWING	