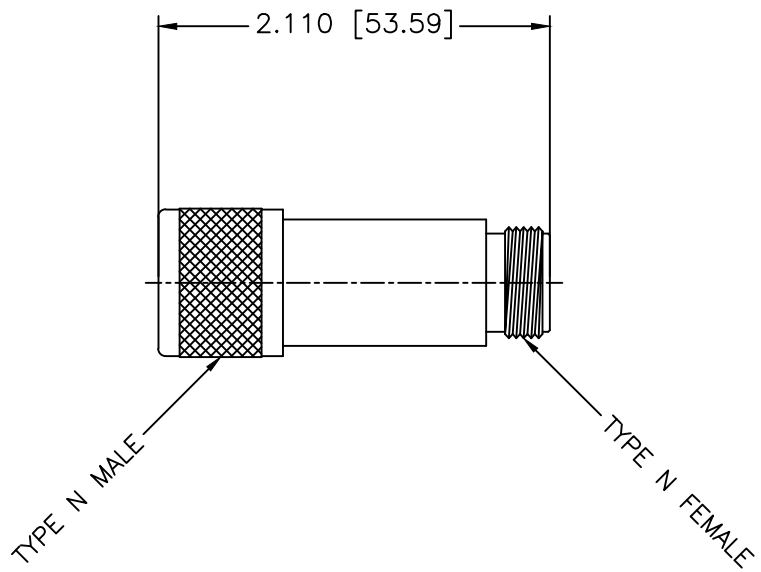


REVISIONS				
ZONE	REV	DESCRIPTION	DATE	APPROVED



SPECIFICATIONS

Frequency Range: DC–6 GHz
 VSWR: 1.50:1 Typ.
 Input Power: 1 Watt Max.
 Attenuation: 3dB
 Attenuation Flatness: ±0.35dB
 Impedance: 50 Ohms
 Operating Temperature: –45°C to 100°C
 Storage Temperature: –55°C to 100°C

MATERIAL:		MICROWAVE COMMUNICATIONS LABORATORIES INC. 7255 30TH AVE. N. SAINT PETERSBURG, FL 33710 TEL: (727) 344-6254 FAX: (727) 381-6116 http://WWW.MCLI.COM	SCALE:	N/A
			SHEET:	N/A
		UNLESS OTHERWISE SPECIFIED: TOLERANCES IN (INCHES) OR [mm] (MILLIMETERS) FRACTIONS: ± 1/64 DECIMALS: ±.050 ANGLE: ±1/2°	DRAWING TITLE: TYPE N FIXED ATTENUATOR	
DRAWN: Paiboon Luekhamhan		DATE: 10-26-2006	PART NO. FAN-25-3	
APPROVED: T. Nguyen		DATE: 10-26-2006	CAGE CODE: OD2L5	SIZE: A REV: N/A DWG NO.: 82697 DO NOT SCALE THE DRAWING

PROPRIETARY NOTICE:
 THE INFORMATION IN THIS DRAWING IS PROPRIETARY
 AND SHALL NOT BE USED OR DISCLOSED WITHOUT WRITTEN
 PERMISSION FROM MICROWAVE COMMUNICATIONS
 LABORATORIES INC. (MCLI)

