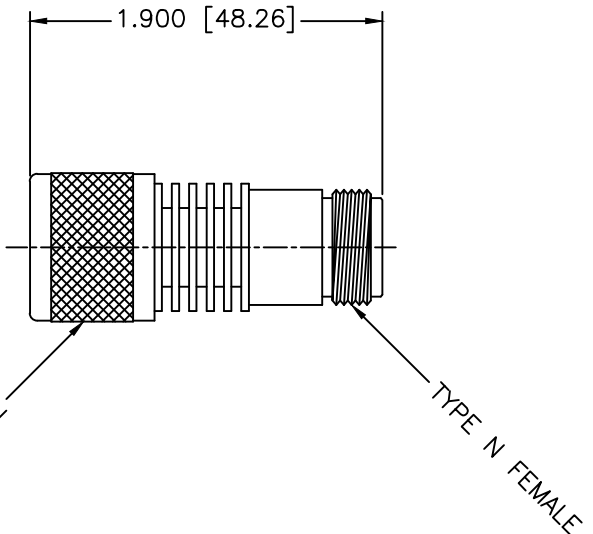


REVISIONS				
ZONE	REV	DESCRIPTION	DATE	APPROVED



SPECIFICATIONS

Frequency Range: DC-18 GHz
 VSWR: 1.35:1 Max.
 Power @ 25°C: 5 Watts
 Attenuation Accuracy: 6±0.3dB
 Operating Temperature: -55°C to +85°C
 Impedance: 50 Ohms

MECHANICAL

Connector Shell: Stainless Steel
 Connector Contact: Gold Plated Beryllium Copper
 Housing: Aluminum

MATERIAL:		MICROWAVE COMMUNICATIONS LABORATORIES INC. 7255 30TH AVE. N. SAINT PETERSBURG, FL 33710 TEL: (727) 344-6254 FAX: (727) 381-6116 http://WWW.MCLI.COM	SCALE:	N/A
			SHEET:	N/A
		UNLESS OTHERWISE SPECIFIED: TOLERANCES IN (INCHES) OR [mm] (MILLIMETERS) FRACTIONS: ± 1/64 DECIMALS: ±.01 ±.005 ANGLE: ±1/2°	DRAWING TITLE: 5 WATTS ATTENUATOR	
DRAWN: Paiboon Luexhamhan		DATE: 03-14-2008	PART NO. FAN-17-6	
APPROVED: T. Nguyen		DATE: 03-14-2008	CAGE CODE: OD2L5	SIZE: A REV: N/A DWG NO.: 83096
		PROPRIETARY NOTICE: THE INFORMATION IN THIS DRAWING IS PROPRIETARY AND SHALL NOT BE USED OR DISCLOSED WITHOUT WRITTEN PERMISSION FROM MICROWAVE COMMUNICATIONS LABORATORIES INC. (MCLI)	DO NOT SCALE THE DRAWING	

