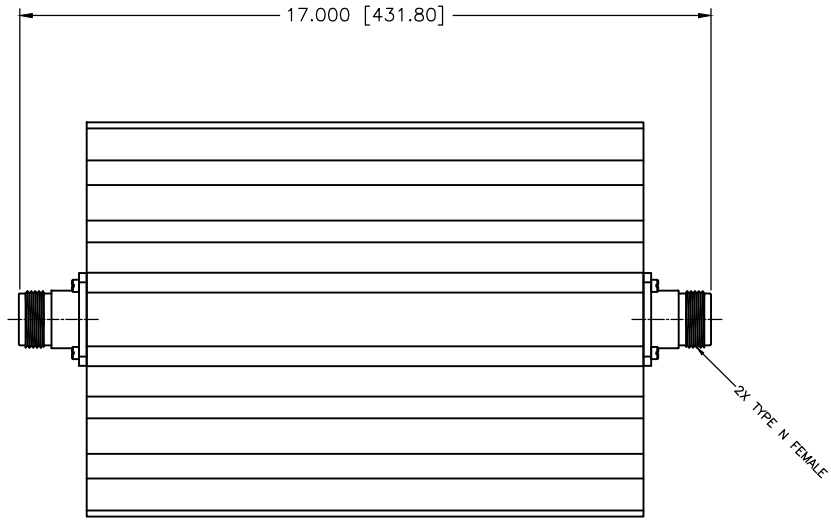
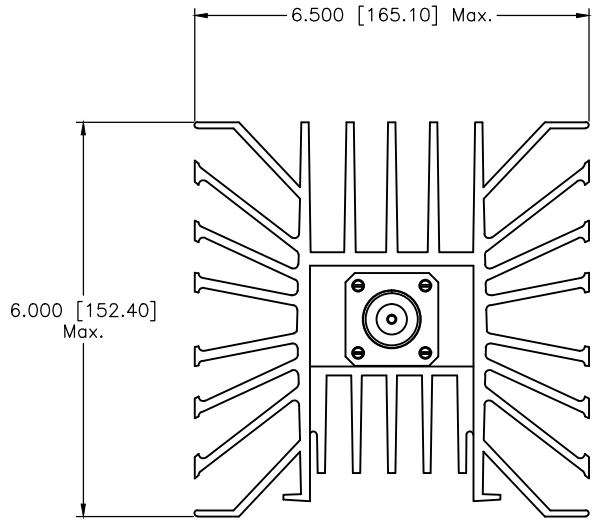


REVISIONS				
ZONE	REV	DESCRIPTION	DATE	APPROVED



SPECIFICATIONS

Frequency Range: DC-2.4 GHz
 VSWR: DC to 1 GHz = 1.25:1
 1 to 2.4 GHz = 1.35:1
 Input Power: 500 Watts
 Peak Power: 2 kW Max.
 Attenuation Value: 3 to 40dB
 Attenuation Accuracy: Dc to 1.0 GHz = ±.3dB or 3%
 1.0 to 2.4 GHz = ±.75dB or 3%

<small>UNLESS OTHERWISE SPECIFIED: TOLERANCES IN (INCHES) OR (mm) (MILLIMETERS) FRACTIONS: ± 1/64 DECIMALS: ±.01 ±.005 ANGLES: ±1/2°</small>	MCLI MICROWAVE COMMUNICATIONS LABORATORIES INC. 7250 30TH AVE. N. SAINT PETERSBURG, FL 33710 TEL: (727) 344-8254 FAX: (727) 381-8116 WWW.MICL.COM		SOLID: N/A BURN: N/A
	DRAWING TITLE: Coaxial Attenuator PART NO.: FAN-10-500-30		
DRAWN: Pulson Lathasian DATE: 08-21-2008	APPROVED: T. Nguyen DATE: 08-21-2008	CASE CODE: OD2L5 SIZE: C REV: N/A DO NOT SCALE THE DRAWING	DRG NO.: 80556