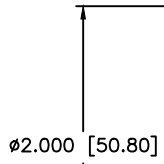
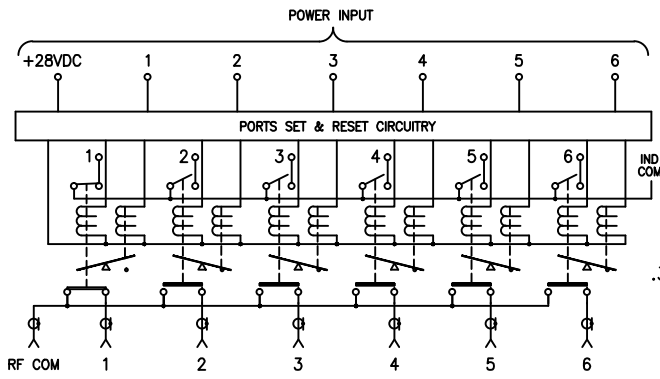


| REVISIONS | | | | |
|-----------|-----|-------------|------|----------|
| ZONE | REV | DESCRIPTION | DATE | APPROVED |
| | | | | |



SPECIFICATIONS

FREQUENCY RANGE: DC-18.0 GHz
 VSWR: 1.50:1 MAX.
 INSERTION LOSS: 0.50dB MAX.
 ISOLATION: 60dB MIN.

MECHANICAL

CONTACT: BREAK BEFORE MAKE
 ACTUATOR: LATCHING
 SWITCHING SPEED: 20 mSEC MAX

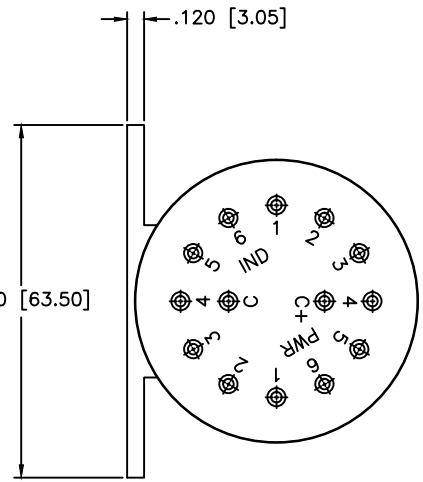
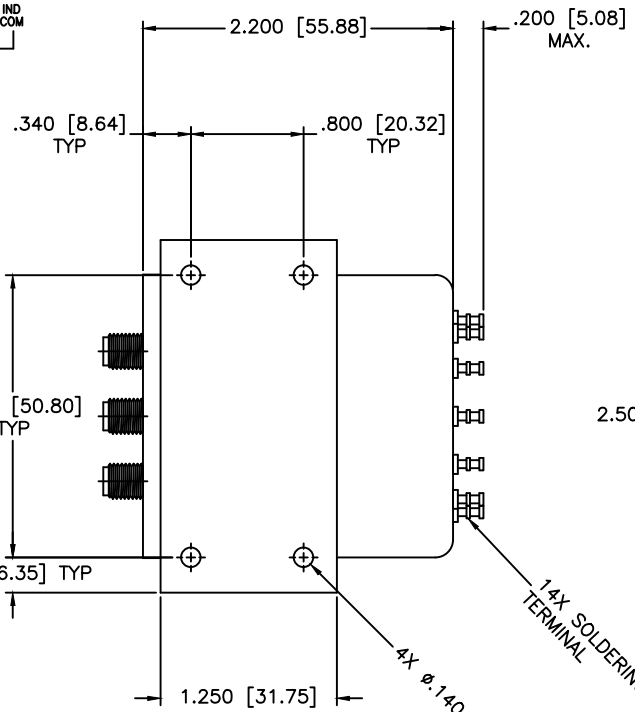
ELECTRICAL

ACTUATOR VOLTAGE: 28.0 Vdc (22.0-32.0 Vdc)
 ACTUATOR CURRENT: 600mA MAX @ 28.0 Vdc
 POWER HANDLING: 200W CW @ 1.0GHz
 IMPEDANCE: 50 Ohms

ENVIRONMENTAL

OPERATING TEMP: -54°C to +90°C
 SINE VIBRATION: 30 G'S rms
 LIFE: 1,000,000 CYCLES
 RANDOM VIBRATION: 20 G'S rms

7X SMA FEMALE CONNECTORS
 6X EQUALLY SPACED AT 60°
 ON $\phi 1.062$ [$\phi 26.97$] B.C.



| | | | | | |
|---|---------------------|--------------------------------|--|-------------------|--------------------------|
| MATERIAL: | | | MICROWAVE COMMUNICATIONS LABORATORIES INC. 7255 30TH AVE. N. SAINT PETERSBURG, FL 33710 TEL: (727) 344-6254 FAX: (727) 381-6116 http://www.MCLI.COM | | SCALE: N/A |
| UNLESS OTHERWISE SPECIFIED: TOLERANCES IN (INCHES) OR [mm] (MILLIMETERS) FRACTIONS: $\pm 1/64$ DECIMALS: $\pm 0.01 \pm 0.005$ ANGLE: $\pm 1/2^\circ$ | | | DRAWING TITLE: ELECTROMECHANICAL SWITCHES | | SHEET: N/A |
| DRAWN: Paiboon Luekhamhan | DATE: 02-24-2009 | PART NO. E6-7-LI/28P | | DWG. NO. 84188 | |
| APPROVED: T. Nguyen | DATE: 02-24-2009 | CAGE CODE: OD2L5 | SIZE: N/A | REV: N/A | DO NOT SCALE THE DRAWING |

THIRD ANGLE PROJECTION