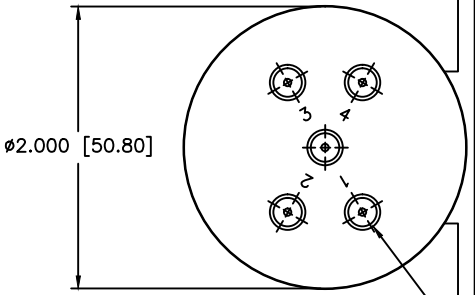
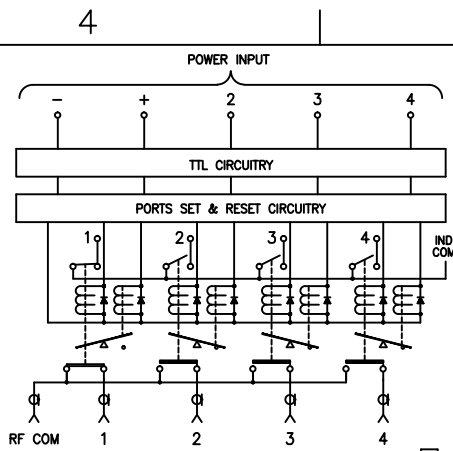


REVISIONS				
ZONE	REV	DESCRIPTION	DATE	APPROVED



SPECIFICATIONS

FREQUENCY RANGE: DC-1.0 GHz
 VSWR: 1.20:1 MAX.
 INSERTION LOSS: 0.20dB MAX.
 ISOLATION: 90dB MIN.

MECHANICAL

CONTACT: BREAK BEFORE MAKE
 ACTUATOR: MOMENTARY
 SWITCHING SPEED: 20 mSEC MAX

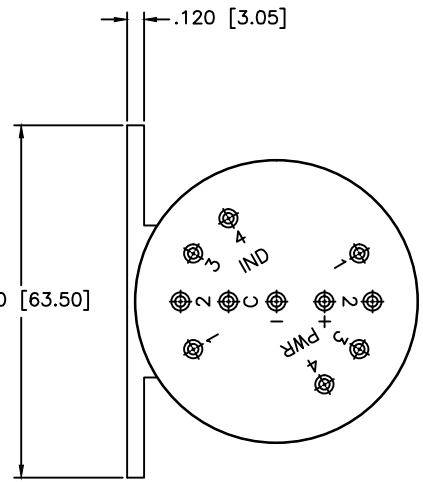
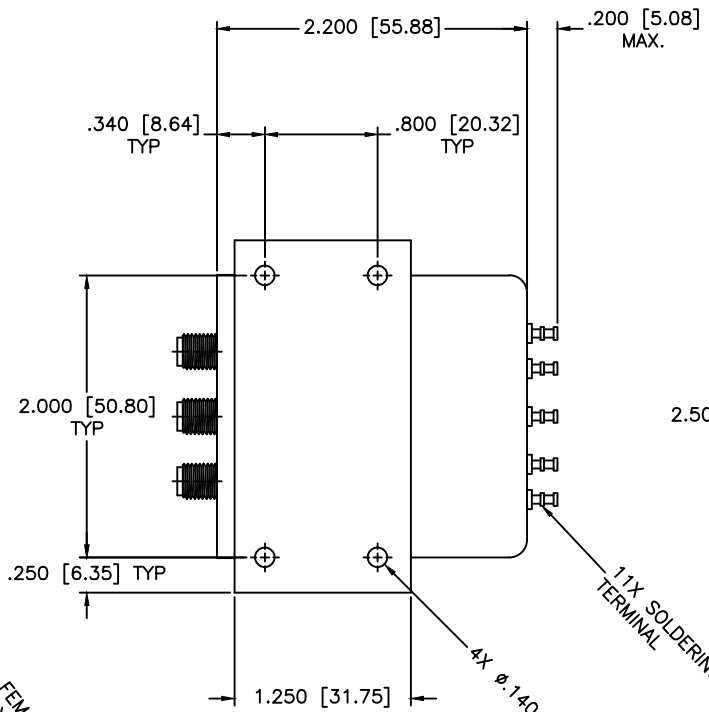
ELECTRICAL

ACTUATOR VOLTAGE: 28.0 Vdc (22.0-32.0 Vdc)
 ACTUATOR CURRENT: 125mA MAX @ 28.0 Vdc
 POWER HANDLING: 200W CW @ 1.0GHz
 IMPEDANCE: 50 Ohms

ENVIRONMENTAL

OPERATING TEMP: -54°C to +90°C
 SINE VIBRATION: 30 G'S rms
 LIFE: 1,000,000 CYCLES
 RANDOM VIBRATION: 20 G'S rms

5X SMA FEMALE
 4X EQUALLY SPACED AT 60° 120°
 ON Ø1.062 [Ø26.97] B.C.



MATERIAL:			MICROWAVE COMMUNICATIONS LABORATORIES INC. 7255 30TH AVE. N. SAINT PETERSBURG, FL 33710 TEL: (727) 344-6254 FAX: (727) 381-6116 http://WWW.MCLI.COM		SCALE:	N/A
UNLESS OTHERWISE SPECIFIED: TOLERANCES IN (INCHES) OR [mm] (MILLIMETERS) FRACTIONS: ± 1/64 DECIMALS: ±.01 ±.005 ANGLE: ±1/2°			DRAWING TITLE:		ELECTROMECHANICAL SWITCHES	
DRAWN: Paiboon Luekhamhan		DATE: 03-31-2001		PART NO.:		E4-1-MISL
APPROVED: T. Nguyen		DATE: 03-31-2001		CAGE CODE:		OD2L5
THIRD ANGLE PROJECTION		SIZE:		REV: B		DWG NO.:
				DO NOT SCALE THE DRAWING		81633