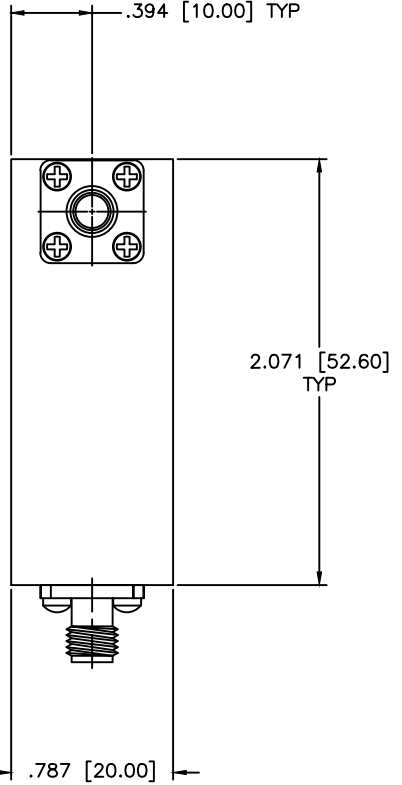
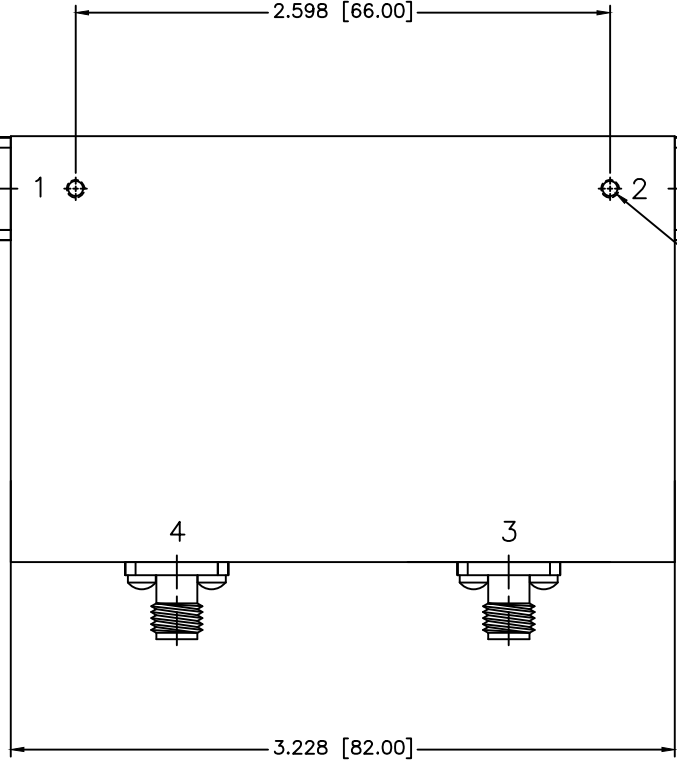


REVISIONS				
ZONE	REV	DESCRIPTION	Date	APPROVED

4X SMA FEMALE



SPECIFICATIONS
 Frequency Range: 1.8–4.0 GHz
 Isolation: 35dB Min.
 Insertion loss: 1.0dB Max.
 VSWR: 1.35:1 Max.
 FW & REV Power: 50 Watts AVG.
 Peak Power: 500 Watts

MATERIAL:	
DRAWN: Paiboon Luekhamhan	DATE: 03-12-2009
APPROVED: T. Nguyen	DATE: 03-12-2009



MICROWAVE COMMUNICATIONS LABORATORIES INC.
 7255 30TH AVE. N. SAINT PETERSBURG, FL 33710
 TEL: (727) 344-6254 FAX: (727) 381-6116
 http://WWW.MCLI.COM

SCALE:	N/A
SHEET:	N/A

UNLESS OTHERWISE SPECIFIED:
 TOLERANCES
 IN (INCHES) OR [mm] (MILLIMETERS)
 FRACTIONS: ± 1/64
 DECIMALS: ±.01 ±.005
 ANGLE: ±1/2°

DRAWING TITLE:
CIRCULATOR, DUAL JUNCTION

PART NO.
CSDJ-10

PROPRIETARY NOTICE:
 THE INFORMATION IN THIS DRAWING IS PROPRIETARY
 AND SHALL NOT BE USED OR DISCLOSED WITHOUT WRITTEN
 PERMISSION FROM MICROWAVE COMMUNICATIONS
 LABORATORIES INC. (MCLI)

CAGE CODE:	SIZE:	REV:	DWG NO.
OD2L5	N/A	N/A	84475
DO NOT SCALE THE DRAWING			

