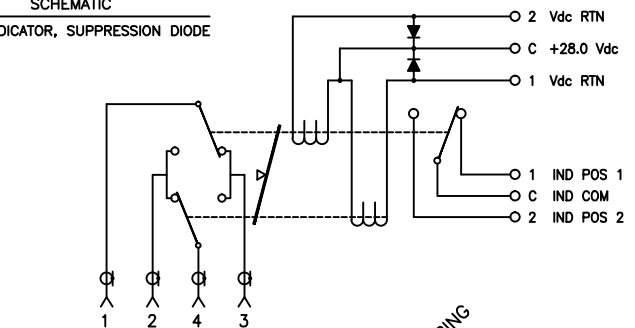


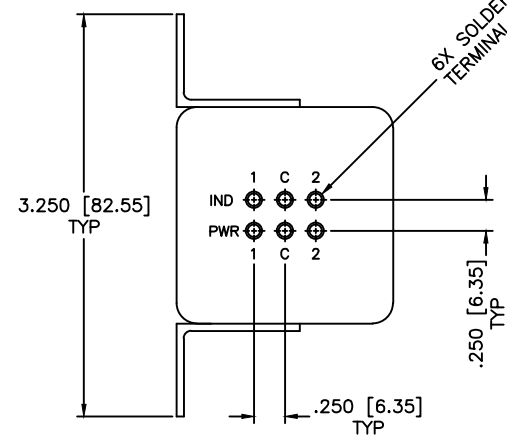
4 | 3 | 2 | 1

REVISIONS				
ZONE	REV	DESCRIPTION	DATE	APPROVED

SCHEMATIC
LATCHING, INDICATOR, SUPPRESSION DIODE



POS 1 NORMALLY CLOSED
POS 1 { 1-3 & 2-4 }
POS 2 { 1-2 & 3-4 }



SPECIFICATIONS

FREQUENCY RANGE: DC-2.0 GHz
VSWR: 1.20:1 MAX.
INSERTION LOSS: 0.20dB MAX.
ISOLATION: 80dB MIN.

MECHANICAL

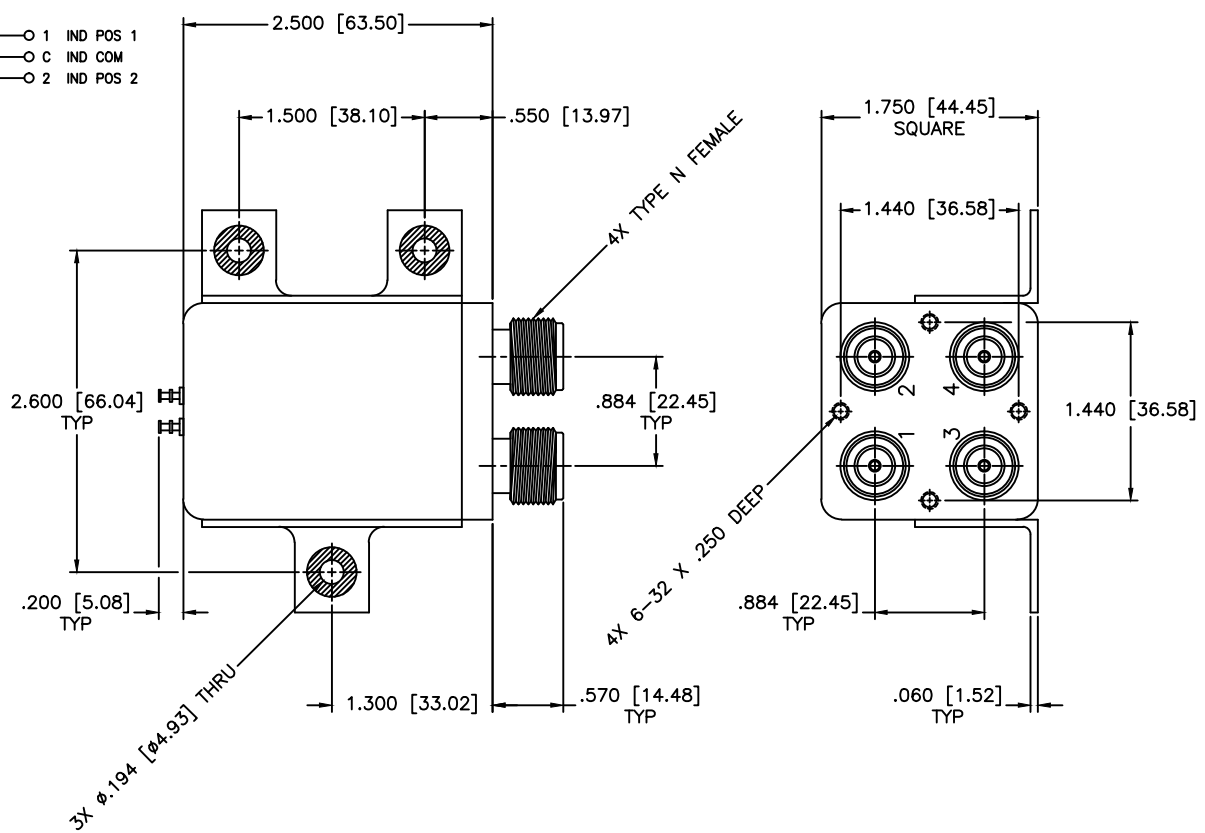
CONTACT: BREAK BEFORE MAKE
ACTUATOR: LATCHING
SWITCHING SPEED: 20 mSEC MAX

ELECTRICAL

ACTUATOR VOLTAGE: 28.0±3.0 Vdc
ACTUATOR CURRENT: 200mA MAX @ 28.0 Vdc
POWER HANDLING: 350W CW @ 1.0GHz
IMPEDANCE: 50 Ohms

ENVIRONMENTAL

OPERATING TEMP: -54°C to +90°C
SINE VIBRATION: 30 G'S rms
LIFE: 1,000,000 CYCLES
RANDOM VIBRATION: 20 G'S rms



MATERIAL:	DRAWING: Paiboon Luekhamhan	DATE: 02-18-2009	MCL MICROWAVE COMMUNICATIONS LABORATORIES INC. 7225 30TH AVE. N. SAINT PETERSBURG, FL 33710 TEL: (727) 344-8254 FAX: (727) 381-8116 http://www.mcll.com	SCALE: N/A
				SHEET: N/A
UNLESS OTHERWISE SPECIFIED: TOLERANCES IN (INCHES) OR (mm) (MILLIMETERS) FRACTIONS: ± 1/64 DECIMALS: ±.02 ±.009 ANGLE: ±1/2°	DRAWING TITLE: ELECTROMECHANICAL SWITCHES			
	PART NO. C2-2-LIS/28P			
APPROVED: T. Nguyen	DATE: 02-18-2009	REFERENCE TO THE SPECIFICATIONS IN THIS DRAWING IS PROHIBITED AND SHALL BE THE SOLE RESPONSIBILITY OF THE CUSTOMER FOR ANY CHANGES TO THE DRAWING.	CAGE CODE: OD2L5	SIZE: N/A REV: N/A DO NOT SCALE THE DRAWING
			DWG NO. 84162	

4 | 3 | 2 | 1