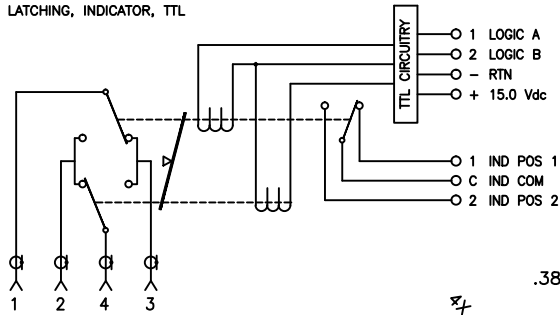
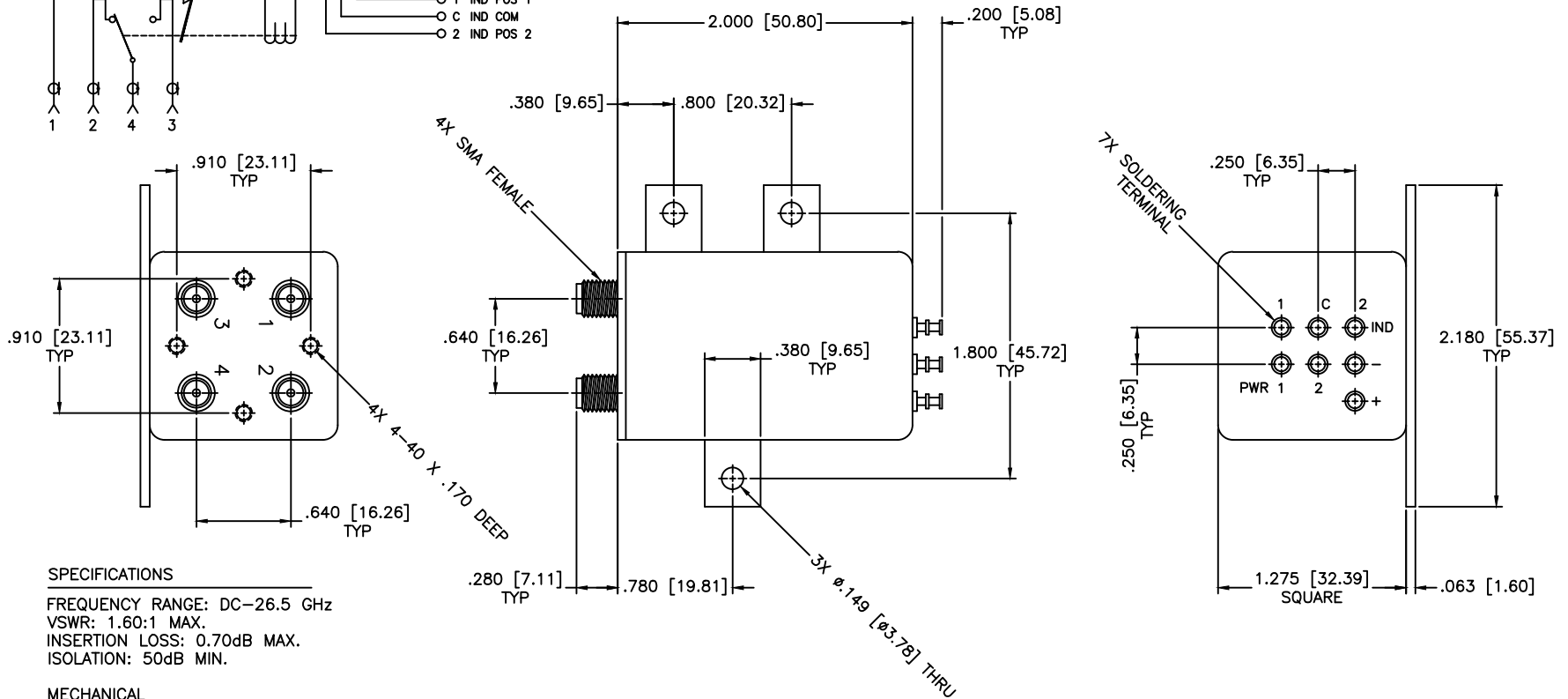


SCHEMATIC
LATCHING, INDICATOR, TTL



POS 1 NORMALLY CLOSED
POS 1 (1-3 & 2-4)
POS 2 (1-2 & 3-4)

REVISIONS			
ZONE	REV	DESCRIPTION	APPROVED



SPECIFICATIONS

FREQUENCY RANGE: DC-26.5 GHz
VSWR: 1.60:1 MAX.
INSERTION LOSS: 0.70dB MAX.
ISOLATION: 50dB MIN.

MECHANICAL

CONTACT: BREAK BEFORE MAKE
ACTUATOR: LATCHING
SWITCHING SPEED: 20 mSEC MAX

ELECTRICAL

ACTUATOR VOLTAGE: 15.0±3.0 Vdc
ACTUATOR CURRENT: 125mA MAX @ 15.0 Vdc
POWER HANDLING: 190W CW @ 1.0GHz
IMPEDANCE: 50 Ohms

ENVIRONMENTAL

OPERATING TEMP: -54°C to +90°C
SINE VIBRATION: 30 G'S rms
LIFE: 1,000,000 CYCLES
RANDOM VIBRATION: 20 G'S rms

MATERIAL:	
DRAWN: Paiboon Luekhamhan	DATE: 03-31-2001
APPROVED: T. Nguyen	DATE: 03-31-2001

<p>MICROWAVE COMMUNICATIONS LABORATORIES INC. 7255 30TH AVE. N. SAINT PETERSBURG, FL 33710 TEL: (727) 344-6254 FAX: (727) 381-6116 http://WWW.MCLI.COM</p>	SCALE: N/A
	SHEET: N/A
<p>UNLESS OTHERWISE SPECIFIED: TOLERANCES IN (INCHES) OR [mm] (MILLIMETERS) FRACTIONS: ± 1/64 DECIMALS: ±.02 ±.009 ANGLE: ±1/2°</p>	
DRAWING TITLE: ELECTROMECHANICAL SWITCHES	
PART NO. C1-8-LIL/15	
CAGE CODE: OD2L5	SIZE: N/A
REV: N/A	DWG NO. 81625
DO NOT SCALE THE DRAWING	

THIRD ANGLE PROJECTION