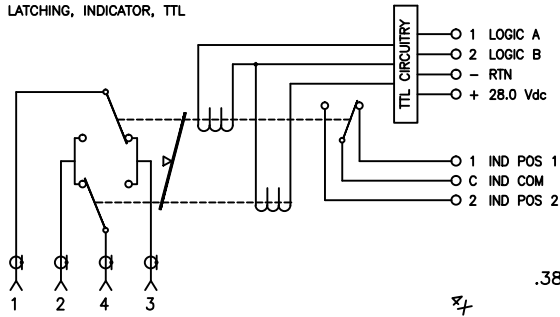
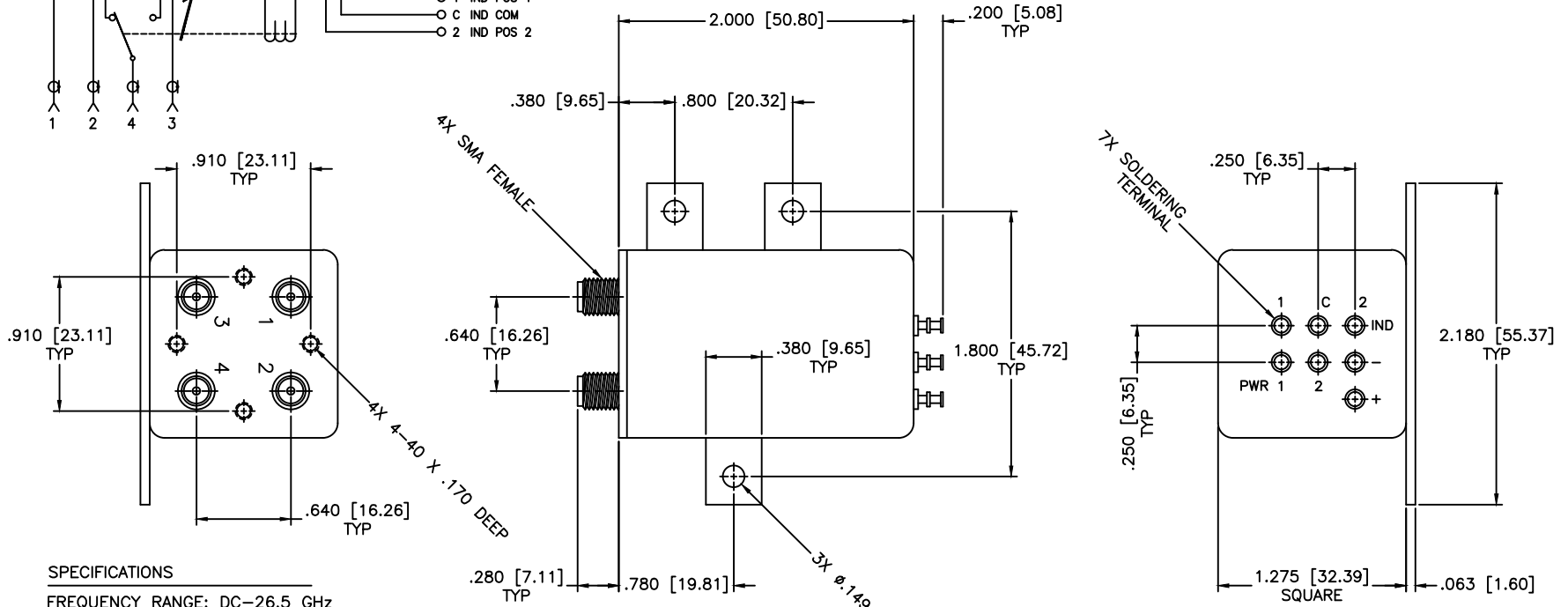


**SCHEMATIC**  
LATCHING, INDICATOR, TTL



POS 1 NORMALLY CLOSED  
POS 1 ( 1-3 & 2-4 )  
POS 2 ( 1-2 & 3-4 )

REVISIONS			
ZONE	REV	DESCRIPTION	APPROVED



**SPECIFICATIONS**

FREQUENCY RANGE: DC-26.5 GHz  
VSWR: 1.60:1 MAX.  
INSERTION LOSS: 0.70dB MAX.  
ISOLATION: 50dB MIN.

**MECHANICAL**

CONTACT: BREAK BEFORE MAKE  
ACTUATOR: LATCHING  
SWITCHING SPEED: 20 mSEC MAX

**ELECTRICAL**

ACTUATOR VOLTAGE: 28.0±3.0 Vdc  
ACTUATOR CURRENT: 125mA MAX @ 28.0 Vdc  
POWER HANDLING: 200W CW @ 1.0GHz  
IMPEDANCE: 50 Ohms

**ENVIRONMENTAL**

OPERATING TEMP: -54°C to +90°C  
SINE VIBRATION: 30 G'S rms  
LIFE: 1,000,000 CYCLES  
RANDOM VIBRATION: 20 G'S rms

MATERIAL:	
DRAWN: Paiboon Luekhamhan	DATE: 03-31-2001
APPROVED: T. Nguyen	DATE: 03-31-2001



MICROWAVE COMMUNICATIONS LABORATORIES INC.  
7255 30TH AVE. N. SAINT PETERSBURG, FL 33710  
TEL: (727) 544-6254 FAX: (727) 381-6116  
http://WWW.MCLI.COM

SCALE:	N/A
SHEET:	N/A

UNLESS OTHERWISE SPECIFIED:  
TOLERANCES  
IN (INCHES) OR [mm] (MILLIMETERS)  
FRACTIONS: ± 1/64  
DECIMALS: ±.02 ±.009  
ANGLE: ±1/2°

DRAWING TITLE:  
**ELECTROMECHANICAL SWITCHES**

PART NO.  
**C1-8-LIL**

THIRD ANGLE PROJECTION

CAGE CODE: OD2L5	SIZE: N/A	REV: N/A	DWG NO. 81624
DO NOT SCALE THE DRAWING			