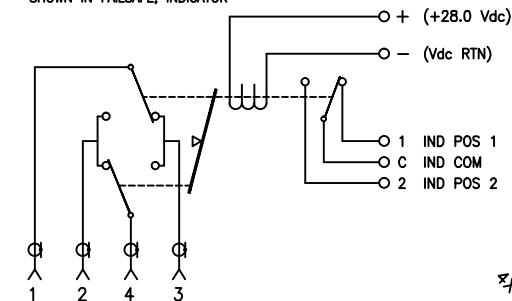


REVISIONS				
ZONE	REV	DESCRIPTION	Date	APPROVED

**SCHEMATIC**

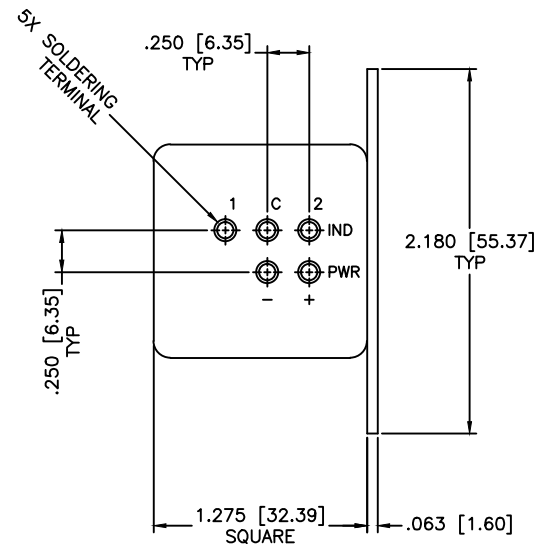
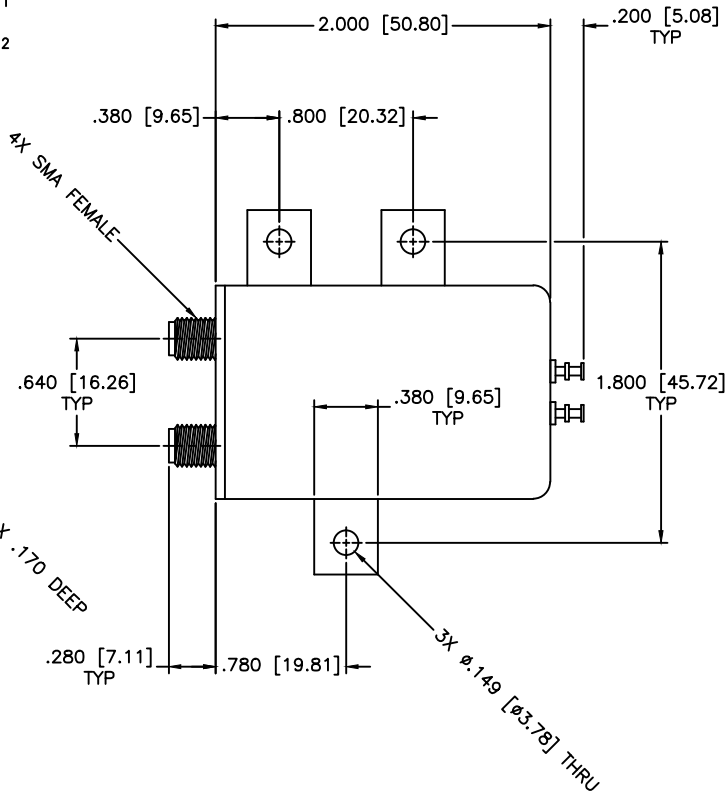
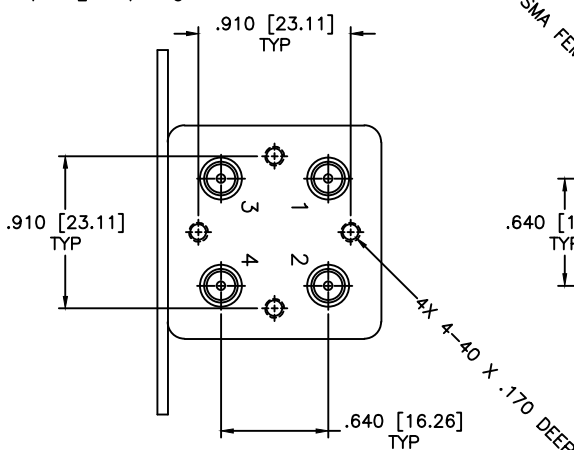
SHOWN IN FAILSAFE, INDICATOR



POS 1 NORMALLY CLOSED

POS 1 { 1-3 & 2-4 }

POS 2 { 1-2 & 3-4 }



**SPECIFICATIONS**

FREQUENCY RANGE: DC-26.5 GHz  
 VSWR: 1.60:1 MAX.  
 INSERTION LOSS: 0.70dB MAX.  
 ISOLATION: 50dB MIN.

**MECHANICAL**

CONTACT: BREAK BEFORE MAKE  
 ACTUATOR: FAILSAFE  
 SWITCHING SPEED: 20 mSEC MAX

**ELECTRICAL**

ACTUATOR VOLTAGE: 28.0±3.0 Vdc  
 ACTUATOR CURRENT: 190mA MAX @ 28.0 Vdc  
 POWER HANDLING: 200W CW @ 1.0GHz  
 IMPEDANCE: 50 Ohms

**ENVIRONMENTAL**

OPERATING TEMP: -54°C to +90°C  
 SINE VIBRATION: 30 G'S rms  
 LIFE: 1,000,000 CYCLES  
 RANDOM VIBRATION: 20 G'S rms

MATERIAL:	
DRAWN: Paiboon Luekhamhan	
DATE: 03-31-2001	
APPROVED: T. Nguyen	
DATE: 03-31-2001	



MICROWAVE COMMUNICATIONS LABORATORIES INC.  
 7255 30TH AVE. N. SAINT PETERSBURG, FL 33710  
 TEL: (727) 344-6254 FAX: (727) 381-6116  
 http://WWW.MCLI.COM

SCALE:	N/A
SHEET:	N/A

UNLESS OTHERWISE SPECIFIED:  
 TOLERANCES  
 IN (INCHES) OR [mm] (MILLIMETERS)  
 FRACTIONS: ± 1/64  
 DECIMALS: ±.02 ±.009  
 ANGLE: ±1/2°

DRAWING TITLE: ELECTROMECHANICAL SWITCHES			
PART NO. C1-8-FI			
CAGE CODE: OD2L5	SIZE: N/A	REV: N/A	DWG NO. 81617
DO NOT SCALE THE DRAWING			

PROPRIETARY NOTICE:  
 THE INFORMATION IN THIS DRAWING IS PROPRIETARY  
 AND SHALL NOT BE USED OR DISCLOSED WITHOUT WRITTEN  
 PERMISSION FROM MICROWAVE COMMUNICATIONS  
 LABORATORIES INC. (MCLI)  
 THIRD ANGLE PROJECTION