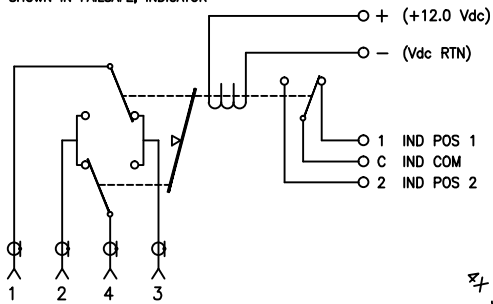
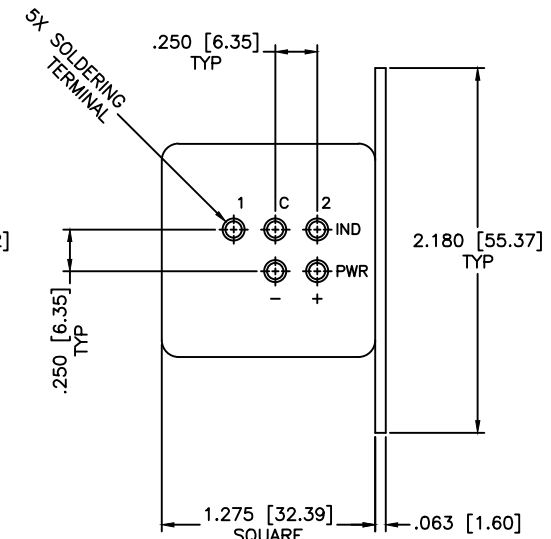
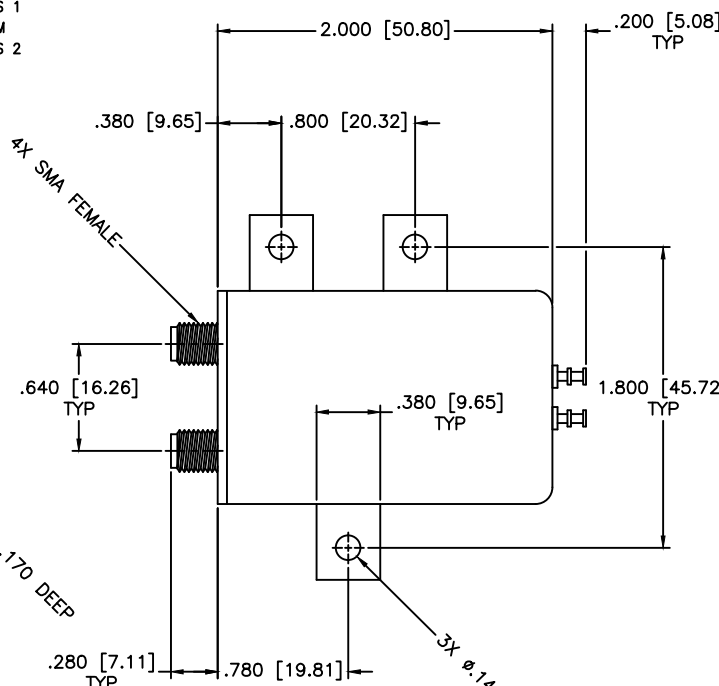
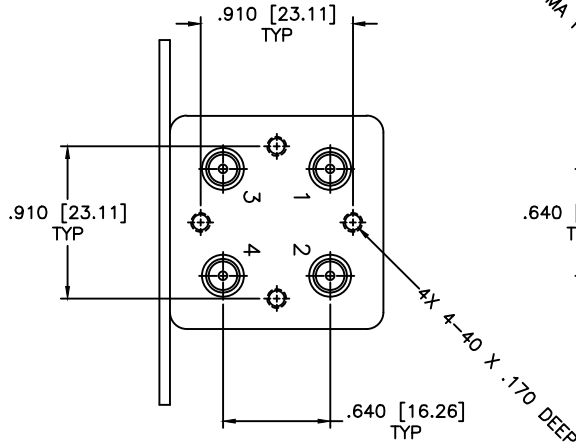


SCHEMATIC

SHOWN IN FAILSAFE, INDICATOR



POS 1 NORMALLY CLOSED
 POS 1 { 1-3 & 2-4 }
 POS 2 { 1-2 & 3-4 }



SPECIFICATIONS

FREQUENCY RANGE: DC-18.0 GHz
 VSWR: 1.50:1 MAX.
 INSERTION LOSS: 0.50dB MAX.
 ISOLATION: 60dB MIN.

MECHANICAL

CONTACT: BREAK BEFORE MAKE
 ACTUATOR: FAILSAFE
 SWITCHING SPEED: 20 mSEC MAX

ELECTRICAL

ACTUATOR VOLTAGE: 12.0±3.0 Vdc
 ACTUATOR CURRENT: 200mA MAX @ 12.0 Vdc
 POWER HANDLING: 200W CW @ 1.0GHz
 IMPEDANCE: 50 Ohms

ENVIRONMENTAL

OPERATING TEMP: -54°C to +90°C
 SINE VIBRATION: 30 G'S rms
 LIFE: 1,000,000 CYCLES
 RANDOM VIBRATION: 20 G'S rms

REVISIONS				
ZONE	REV	DESCRIPTION	Date	APPROVED

MATERIAL:		MICROWAVE COMMUNICATIONS LABORATORIES INC. 7255 30TH AVE. N. SAINT PETERSBURG, FL 33710 TEL: (727) 344-6254 FAX: (727) 381-6116 http://WWW.MCLI.COM	SCALE:	N/A
			SHEET:	N/A
DRAWING TITLE:		ELECTROMECHANICAL SWITCHES		
PART NO.:		C1-7-FI/12		
DRAWN:	DATE:	UNLESS OTHERWISE SPECIFIED: TOLERANCES IN (INCHES) OR [mm] (MILLIMETERS) FRACTIONS: ± 1/64 DECIMALS: ±.02 ±.009 ANGLE: ±1/2° THIRD ANGLE PROJECTION	CAGE CODE:	SIZE:
APPROVED:	DATE:		OD2L5	N/A
Paiboon Luekhamhan T. Nguyen		03-31-2001 03-31-2001		DWG NO. 81621
DO NOT SCALE THE DRAWING				