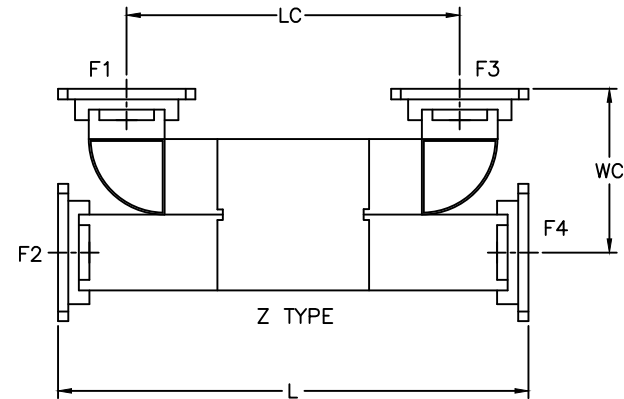
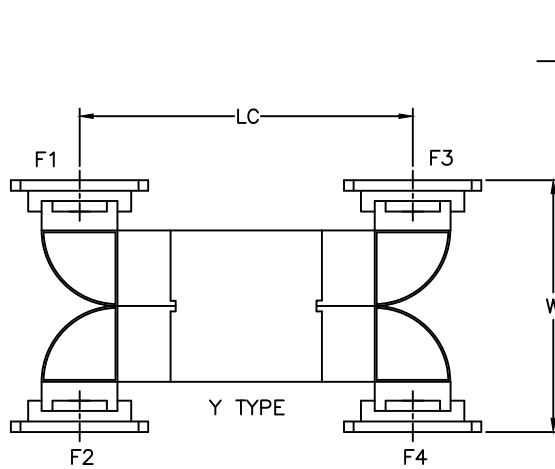
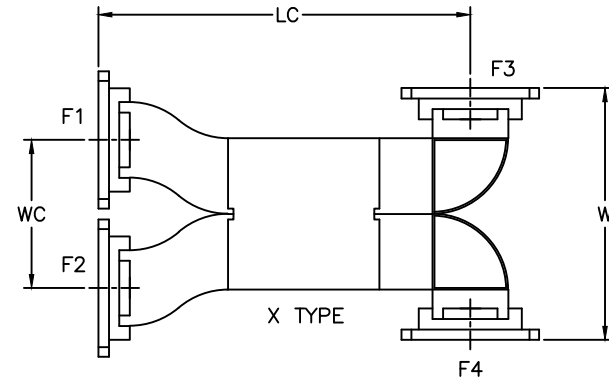
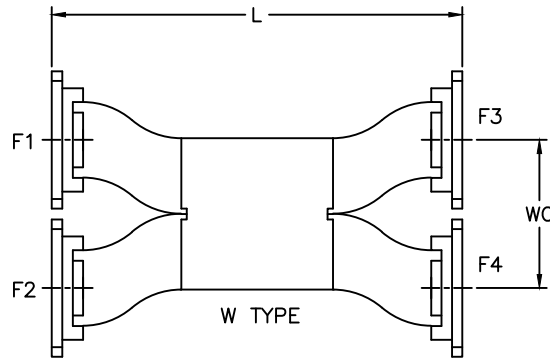


F = FLANGE TYPES

- 1 = CPRG
- 2 = CPRF
- 3 = CMR STANDARD
- 4 = CMR THRU
- 5 = CMR TAP
- 6 = UG-COVER
- 7 = UG-CHOKE
- 8 = UG-COVER/GROOVE
- 9 = PDR

REVISIONS				
ZONE	REV	DESCRIPTION	Date	APPROVED



ORDERING INFORMATION

Construction: -A = Aluminum, -B = Brass-Copper

Waveguide Size: WR28 thru WR284

Flange Type: Multiple Type Available, See Table (-2,-6 are standard)

Finishing: Corrosion resistant 316 stainless steel epoxy coating

Note: F1=Input, F2=Isolated, F3=3dB, F4=3dB

EXAMPLE PART NUMBER: W3A-284-6666-Z (W,X,Y,Z)



MATERIAL:		<p>MICROWAVE COMMUNICATIONS LABORATORIES INC. 7255 30TH AVE. N. SAINT PETERSBURG, FL 33710 TEL: (727) 344-6254 FAX: (727) 381-6116 http://WWW.MCLI.COM</p>	SCALE: N/A
			SHEET: N/A
DRAWING TITLE:		WAVEGUIDE COMBINERS & DIVIDERS	
PART NO.:		W-TYPE, X-TYPE, Y-TYPE, Z-TYPE	
DRAWN: Paibon luekhamhan	DATE: 03-21-2013	CAGE CODE: OD2L5	SIZE: A
APPROVED: T. Nguyen	DATE: 03-21-2013	REV: N/A	DO NOT SCALE THE DRAWING
<p>UNLESS OTHERWISE SPECIFIED: TOLERANCES IN (INCHES) OR [mm] (MILLIMETERS) FRACTIONS: ± 1/64 DECIMALS: ±.01 ±.005 ANGLE: ±1/2°</p> <p>THIRD ANGLE PROJECTION</p>		DWG. NO. 86241	