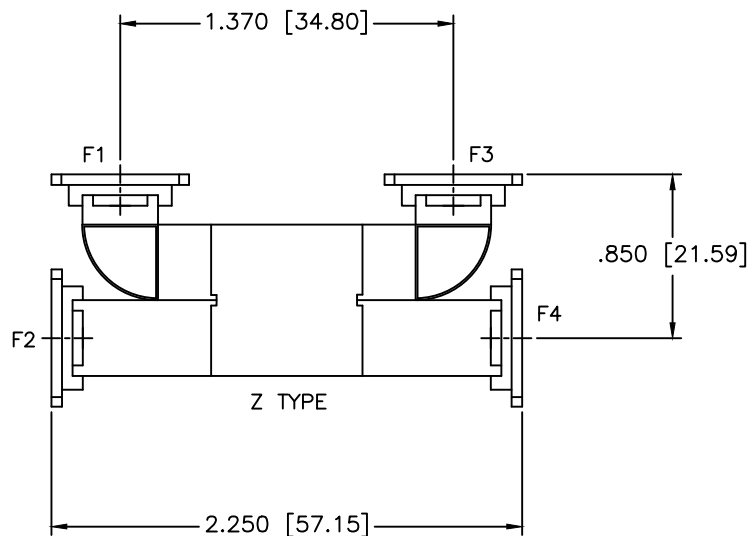


STANDARD MODEL NO.	FREQUENCY RANGE (GHz)	W/G SIZE	VSWR MAX.	ISOLATION MIN.	BALANCE MAX.
W38A-28-XXXX-Z	26-30	WR28	1.15:1	26dB	±0.25dB
W39A-28-XXXX-Z	27.5-31.2	WR28	1.15:1	26dB	±0.25dB
W40A-28-XXXX-Z	30-34	WR28	1.15:1	26dB	±0.25dB
W41A-28-XXXX-Z	33.5-37	WR28	1.15:1	26dB	±0.25dB
W42A-28-XXXX-Z	36-40	WR28	1.15:1	26dB	±0.25dB

REVISIONS				
ZONE	REV	DESCRIPTION	Date	APPROVED



X=FLANGE TYPES (F1-F4)

6 = UG-COVER

7 = UG-CHOKE

MATERIAL:		MCLI MICROWAVE COMMUNICATIONS LABORATORIES INC. 7255 30TH AVE. N. SAINT PETERSBURG, FL 33710 TEL: (727) 344-6254 FAX: (727) 381-6116 http://WWW.MCLI.COM	SCALE:	N/A
			SHEET:	N/A
UNLESS OTHERWISE SPECIFIED: TOLERANCES IN (INCHES) OR [mm] (MILLIMETERS) FRACTIONS: ± 1/64 DECIMALS: ± .02 ± .009 ANGLE: ± 1/2°		DRAWING TITLE: WAVEGUIDE HYBRID COMBINERS/DIVIDERS		
DRAWN: Paiboon luekhamhan		PART NO. W38A-W42A		
DATE: 01-20-2016		CAGE CODE: OD2L5		
APPROVED: T. Nguyen		SIZE: A REV: N/A DWG. NO. 86603		
<small>PROPRIETARY NOTICE: THE INFORMATION IN THIS DRAWING IS PROPRIETARY AND SHALL NOT BE USED OR DISCLOSED WITHOUT WRITTEN PERMISSION FROM MICROWAVE COMMUNICATIONS LABORATORIES INC. (MCLI)</small> 		DO NOT SCALE THE DRAWING		