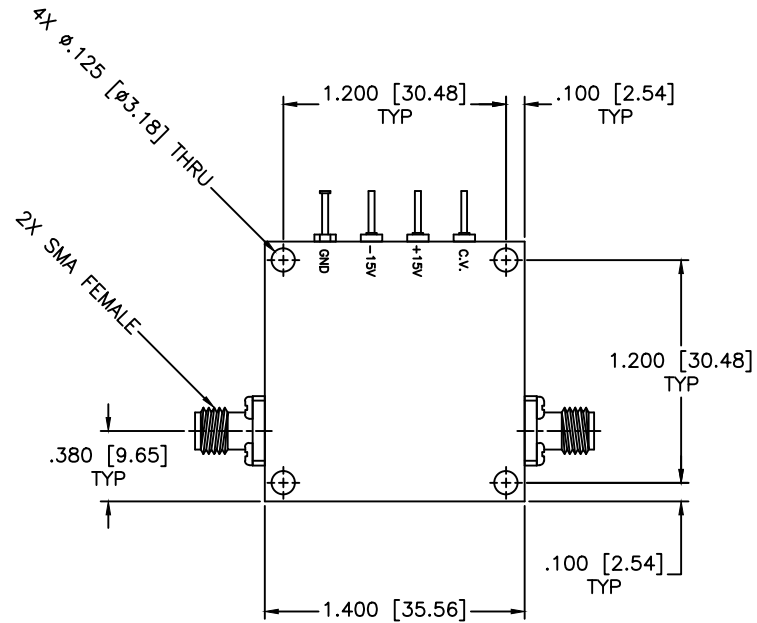
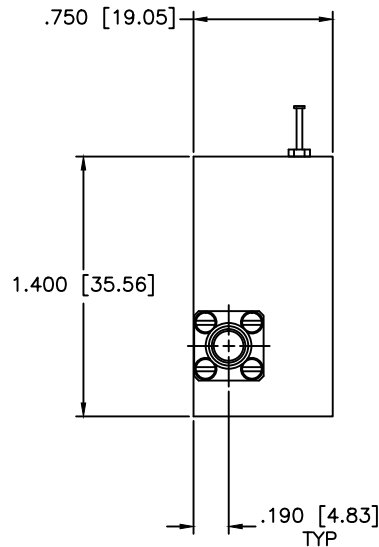


Voltage Controlled: 0 Volts = insertion Loss (zero attenuation) to +10 Volts = Maximum attenuation. Linearized models upon request.  
 High Speed Switching: Attenuators listed are measured from any set value to any value. Switching speeds to 300nSec are available upon request  
 Low DC Power Consumption: Attenuators require  $\pm 15\text{VDC}$ ,  $\pm 1\%$  @  $\pm 50\text{mA}$   
 Stable Attenuation: Variation vs Temperature from  $-55^\circ\text{C}$  to  $+85^\circ\text{C}$  typically  $\pm 10\%$  of the set value. Linearized models upon request.



REVISIONS				
ZONE	REV	DESCRIPTION	DATE	APPROVED

**SPECIFICATIONS**

- Frequency Range: 6–18 GHz
- Attenuation, Option: 32dB, 64dB, 80dB
- Flatness & accuracy Vs Frequency:  $\pm 2.5\text{dB}$  Max.
- Insertion Loss: 3.5dB Max.
- VSWR: 2.00:1 Max.
- Switching Speed: 1.0uSec (35dBc/+15dBm) Max.
- 7.0uSec (50dBc/+20dBm) Max.

MATERIAL:		MICROWAVE COMMUNICATIONS LABORATORIES INC. 7255 30TH AVE. N. SAINT PETERSBURG, FL 33710 TEL: (727) 344-6254 FAX: (727) 381-6116 <a href="http://WWW.MCLI.COM">http://WWW.MCLI.COM</a>	SCALE:	N/A
			SHEET:	N/A
		UNLESS OTHERWISE SPECIFIED: TOLERANCES IN (INCHES) OR [mm] (MILLIMETERS) FRACTIONS: $\pm 1/64$ DECIMALS: $\pm 0.01 \pm 0.005$ ANGLE: $\pm 1/2^\circ$	DRAWING TITLE: <b>VOLTAGE CONTROLLED ATTENUATOR</b>	
		PROPRIETARY NOTICE: THE INFORMATION IN THIS DRAWING IS PROPRIETARY AND SHALL NOT BE USED OR DISCLOSED WITHOUT WRITTEN PERMISSION FROM MICROWAVE COMMUNICATIONS LABORATORIES INC. (MCLI)	PART NO. <b>VC-12</b>	
DRAWN: Paiboon Luekhamhan	DATE: 09-07-2011	THIRD ANGLE PROJECTION 	CAGE CODE:	OD2L5
APPROVED: T. Nguyen	DATE: 09-07-2011		SIZE: A	REV: B
DO NOT SCALE THE DRAWING				