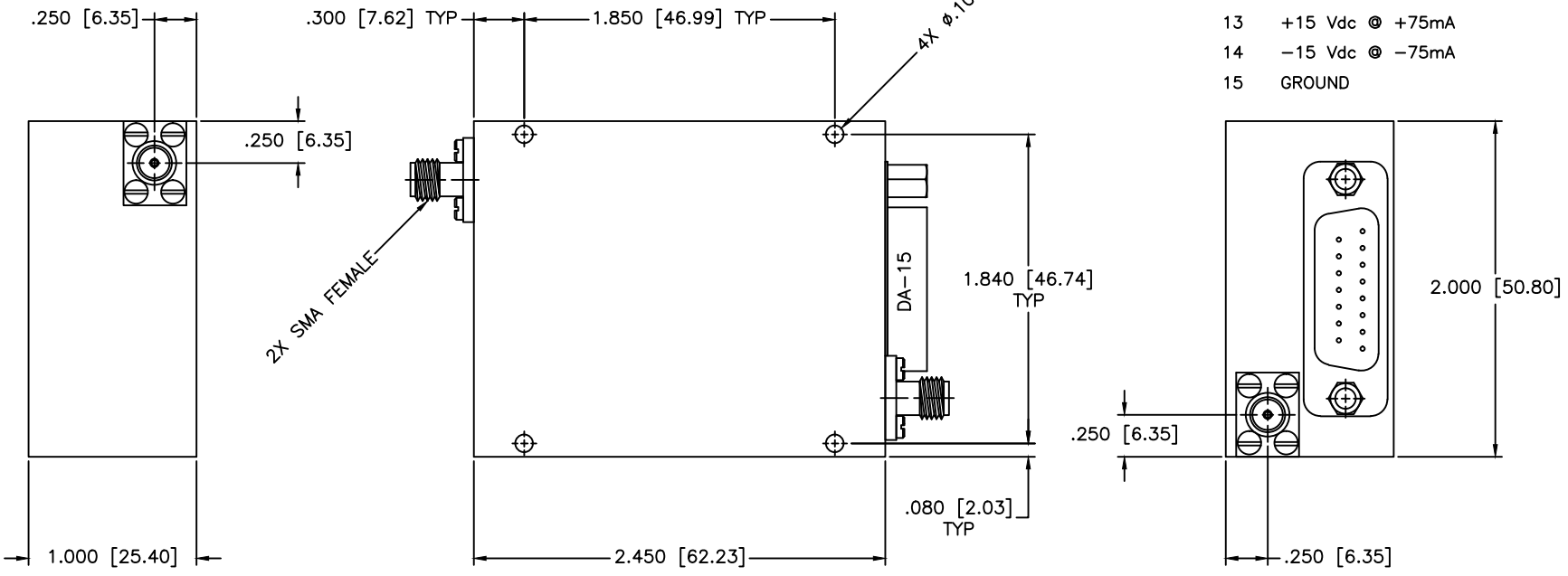


REVISIONS				
ZONE	REV	DESCRIPTION	DATE	APPROVED



POWER/LOGIC PIN-OUT

PIN	FUNCTIONS
1	GROUND
2	CONTROL INPUT
13	+15 Vdc @ +75mA
14	-15 Vdc @ -75mA
15	GROUND

SPECIFICATIONS

Frequency Range: 6–12 GHz
 Insertion Loss: 3.0dB Max.
 Attenuation Range: 10dB, 20dB, 40dB, 60dB
 VSWR: 1.80:1 Max.
 Attenuation Flatness To:
 10±0.5dB Max.
 20±1.0dB Max.
 40±1.7dB Max.
 60±2.0dB Max.

MATERIAL:		MICROWAVE COMMUNICATIONS LABORATORIES INC. 7255 30TH AVE. N. SAINT PETERSBURG, FL 33710 TEL: (727) 344-6254 FAX: (727) 381-6116 http://WWW.MCLI.COM		SCALE:	N/A
UNLESS OTHERWISE SPECIFIED: TOLERANCES IN (INCHES) OR [mm] (MILLIMETERS) FRACTIONS: ± XX DECIMALS: ±.015 ANGLE: ±1/2°				DRAWING TITLE:	VOLTAGE CONTROLLED PIN DIODE ATTENUATOR
DRAWN:	DATE:	PART NO.		VC-11	
APPROVED:	DATE:	CAGE CODE:	SIZE:	REV:	DWG NO.
Paiboon Luekhamhan	04-02-2002	OD2L5	A	N/A	81928
T. Nguyen	04-08-2002	DO NOT SCALE THE DRAWING			