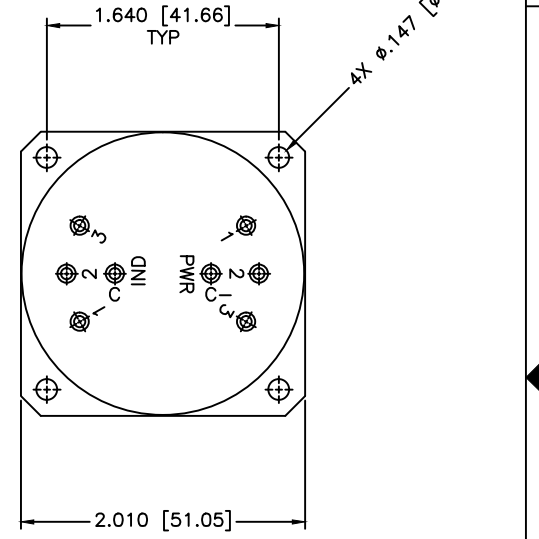
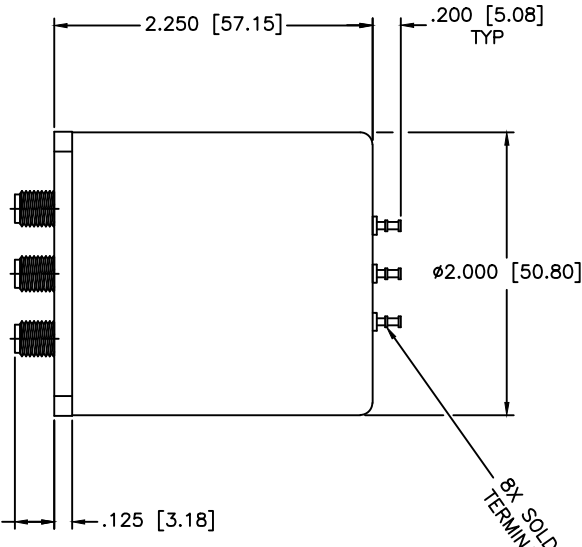
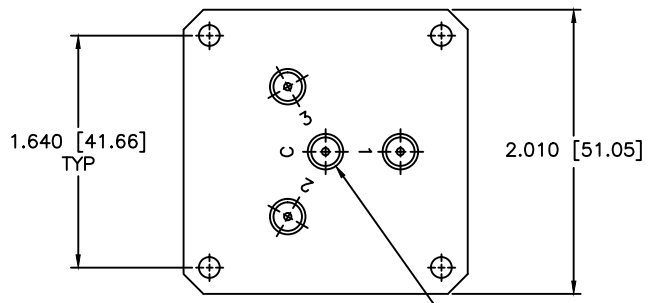
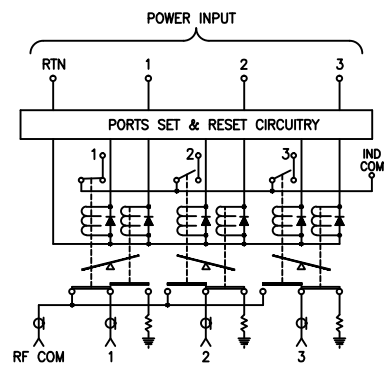


REVISIONS				
ZONE	REV	DESCRIPTION	DATE	APPROVED



**SPECIFICATIONS**

FREQUENCY RANGE: DC-18.0 GHz  
 VSWR: 1.50:1 MAX.  
 INSERTION LOSS: 0.50dB MAX.  
 ISOLATION: 60dB MIN.

**MECHANICAL**

CONTACT: BREAK BEFORE MAKE  
 ACTUATOR: LATCHING  
 SWITCHING SPEED: 20 mSEC MAX

**ELECTRICAL**

ACTUATOR VOLTAGE: 28.0 Vdc (22.0-32.0 Vdc)  
 ACTUATOR CURRENT: 300ma MAX @ 28.0 Vdc  
 POWER HANDLING: 200W CW @ 1.0GHz  
 IMPEDANCE: 50 Ohms

**ENVIRONMENTAL**

OPERATING TEMP: -54°C to +90°C  
 SINE VIBRATION: 30 G'S rms  
 LIFE: 1,000,000 CYCLES  
 RANDOM VIBRATION: 20 G'S rms

4X SMA FEMALE  
 3X EQUALLY SPACED AT 120°  
 ON ø1.062 [ø26.9] B.C.

8X SOLDERING  
 TERMINAL

MATERIAL:			MICROWAVE COMMUNICATIONS LABORATORIES INC. 7255 30TH AVE. N. SAINT PETERSBURG, FL 33710 TEL: (727) 344-6254 FAX: (727) 381-6116 http://WWW.MCLI.COM		SCALE:	N/A
UNLESS OTHERWISE SPECIFIED: TOLERANCES IN (INCHES) OR [mm] (MILLIMETERS) FRACTIONS: ± 1/64 DECIMALS: ±.02 ±.009 ANGLE: ±1/2°			DRAWING TITLE:		SHEET:	
DRAWN: Paiboon Luekhamhan		DATE: 02-26-2009		PART NO.:		V3-7-LIS
APPROVED: T. Nguyen		DATE: 02-26-2009		CAGE CODE:		OD2L5
THIRD ANGLE PROJECTION		SIZE:		REV:		N/A
DO NOT SCALE THE DRAWING		DWG NO.:		84219		