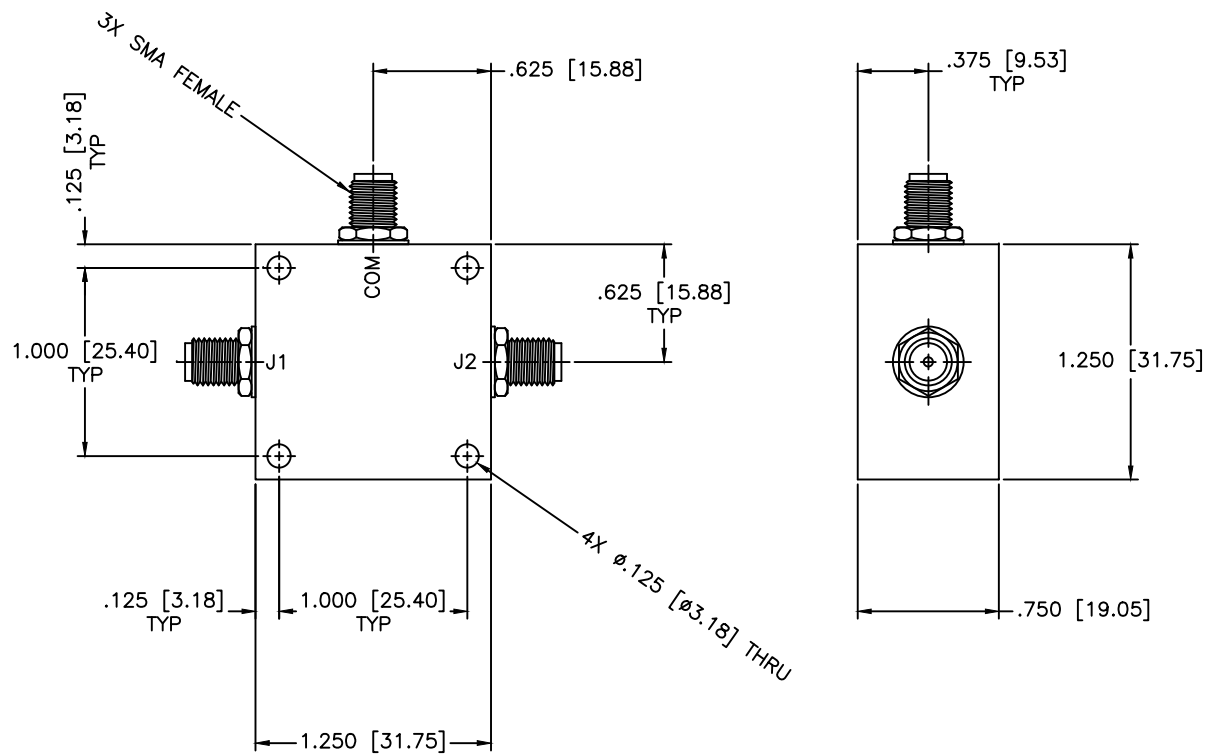


REVISIONS				
ZONE	REV	DESCRIPTION	Date	APPROVED



SPECIFICATIONS

Frequency Range: 200–2000 MHz
 Isolation: 20dB Min.
 VSWR: 1.70:1 Max.
 Insertion Loss: 2.0dB Max.
 Amplitude Balance: ± 0.4 dB Max.
 Phase Balance: ± 8 Deg. Max.
 Power: 1W (Load $vswr @ 1.2$)

MATERIAL:		MCLI MICROWAVE COMMUNICATIONS LABORATORIES INC. 7255 30TH AVE. N. SAINT PETERSBURG, FL 33710 TEL: (727) 344-6254 FAX: (727) 381-6116 http://www.mcli.com	SCALE:	N/A
			SHEET:	N/A
UNLESS OTHERWISE SPECIFIED: TOLERANCES IN (INCHES) OR [mm] (MILLIMETERS) FRACTIONS: $\pm 1/64$ DECIMALS: $\pm 0.01 \pm 0.05$ ANGLE: $\pm 1/2^\circ$		DRAWING TITLE: 2-WAY POWER DIVIDER		
DRAWN: Paiboon Luekhamhan		PART NO. PL2-8		
DATE: 12-22-1997		CAGE CODE: OD2L5		
APPROVED: T. Nguyen		DATE: 12-22-1997		
THIRD ANGLE PROJECTION		SIZE: A	REV: N/A	DWG NO. 80131
DO NOT SCALE THE DRAWING				