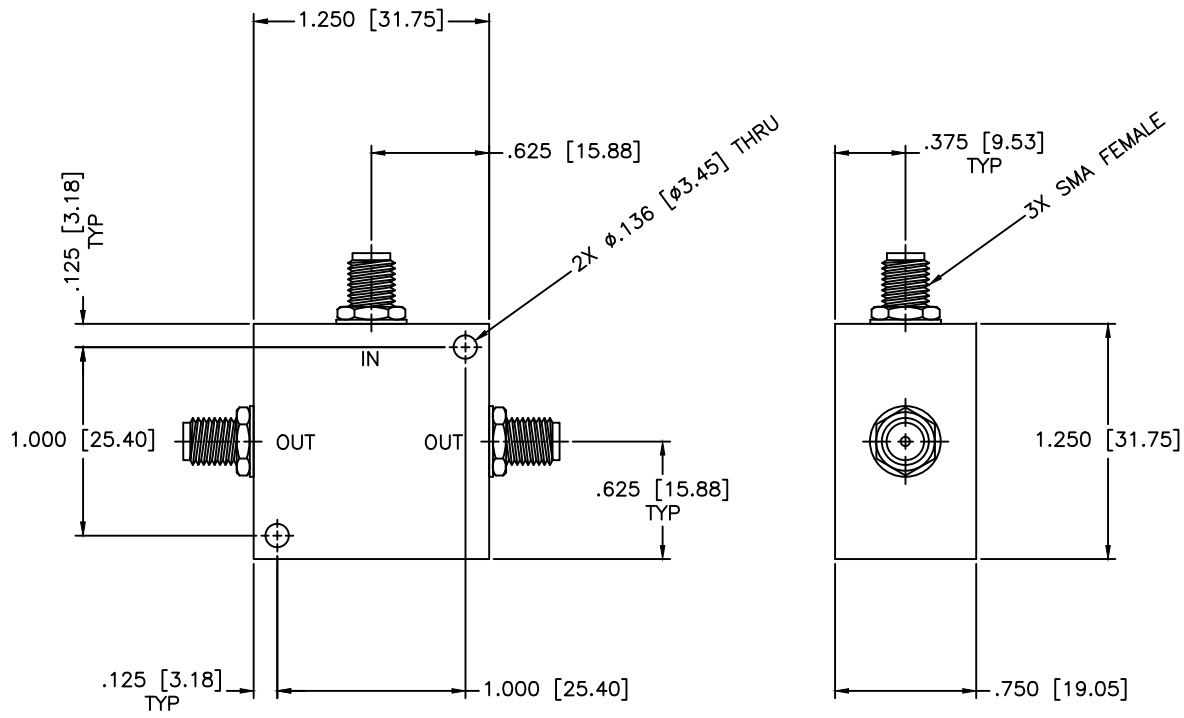


| REVISIONS |     |             |      |          |
|-----------|-----|-------------|------|----------|
| ZONE      | REV | DESCRIPTION | Date | APPROVED |
|           |     |             |      |          |



**SPECIFICATIONS**

Frequency Range: 20–1500 MHz  
 Isolation: 20dB Min.  
 Insertion Loss: 1.5dB Max.  
 Amplitude Balance: ±0.3dB Max.  
 Phase Balance: ±6 Deg. Max.  
 Power: 1W (Load vswr@1.2)  
 Impedance: 50 Ohms  
 Operating Temperature: -55°C to +85°C

|                              |                     |
|------------------------------|---------------------|
| MATERIAL:                    |                     |
| DRAWN:<br>Paiboon Luekhamhan | DATE:<br>08-01-2008 |
| APPROVED:<br>T. Nguyen       | DATE:<br>08-01-2008 |

|  |  |           |                  |
|--|--|-----------|------------------|
|  | MICROWAVE COMMUNICATIONS LABORATORIES INC.<br>7255 30TH AVE. N. SAINT PETERSBURG, FL 33710<br>TEL: (727) 344-6254 FAX: (727) 381-6116<br>http://WWW.MCLI.COM |           | SCALE:<br>N/A    |
|  | UNLESS OTHERWISE SPECIFIED:<br>TOLERANCES<br>IN (INCHES) OR [mm] (MILLIMETERS)<br>FRACTIONS: ± 1/64<br>DECIMALS: ±.01 ±.005<br>ANGLE: ±1/2°                  |           | SHEET:<br>N/A    |
| DRAWING TITLE:<br><b>2-WAY POWER DIVIDER</b> |  |           |                  |
| PART NO.<br><b>PL2-7</b>                     |  |           |                  |
| CAGE CODE:<br>OD2L5                          | SIZE:<br>A   | REV:<br>B | DWG NO.<br>83784 |
| DO NOT SCALE THE DRAWING                     |  |           |                  |

