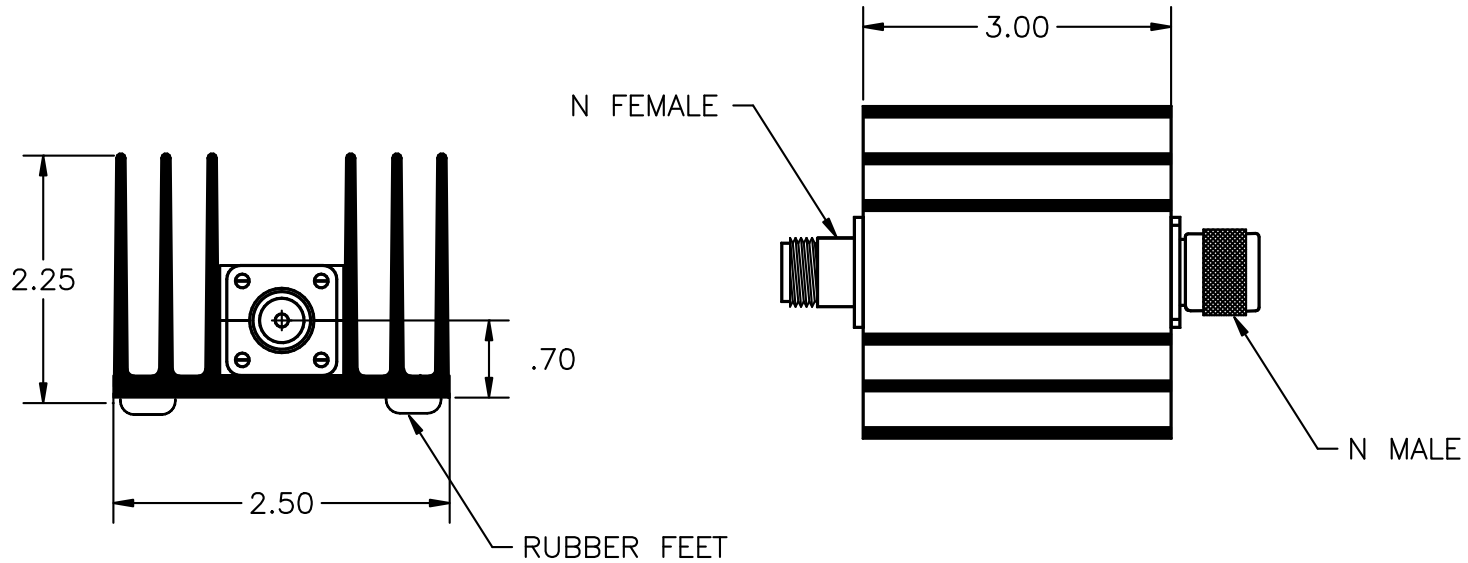


REVISIONS					
ZONE	REV	DESCRIPTION	Date	APPROVED	ECN#



**SPECIFICATIONS**

FREQUENCY RANGE: DC to 2.4 GHz  
 VSWR: 1.15:1 - DC to 1 GHz  
           1.35:1 - 1 to 2.4 GHz  
 ATTENUATION VALUE: 3 to 30 dB  
 ATTENUATION ACCURACY: ±.3 dB or 3% W.I.G.  
 PEAK POWER: 1 KW Max.  
 WEIGHT: 3/4 Lbs (.35 Kg) MAX.

**MATERIALS**

CONNECTOR: NICKEL PLATED BRASS  
 EXTRUSION: BLACK ANODIZED ALUMINUM  
 HEAT SPREADER: COPPER  
 SUBSTRATE: BERYLLIUM OXIDE  
 RESISTIVE ELEMENT: PROPRIETARY FILM

MATERIAL:		MICROWAVE COMMUNICATIONS LABORATORIES INC. 7255 30TH AVE. N. SAINT PETERSBURG, FL 33710 TEL: (727) 344-6254 FAX: (727) 381-6116 http://WWW.MCLI.COM	SCALE:	N/A		
			SHEET:	N/A		
DRAWING TITLE:		60 WATTS ATTENUATOR				
PART NO.:		PCA-60-NF-X				
DRAWN:	DATE:	UNLESS OTHERWISE SPECIFIED: TOLERANCES IN (INCHES) OR [mm] (MILLIMETERS) FRACTIONS: ± 1/64 DECIMALS: ±.01 ±.005 ANGLE: ±1/2°  PROPRIETARY NOTICE: THE INFORMATION IN THIS DRAWING IS PROPRIETARY AND SHALL NOT BE USED OR DISCLOSED WITHOUT WRITTEN PERMISSION FROM MICROWAVE COMMUNICATIONS LABORATORIES INC. (MCLI)	CAGE CODE:	SIZE:	REV:	DWG NO.:
APPROVED:	DATE:		0D2L5	N/A	N/A	85538
DRAWN: Paiboon Luekhamhan DATE: 02-18-2011  APPROVED: T. Nguyen DATE: 02-18-2011			DO NOT SCALE THE DRAWING			