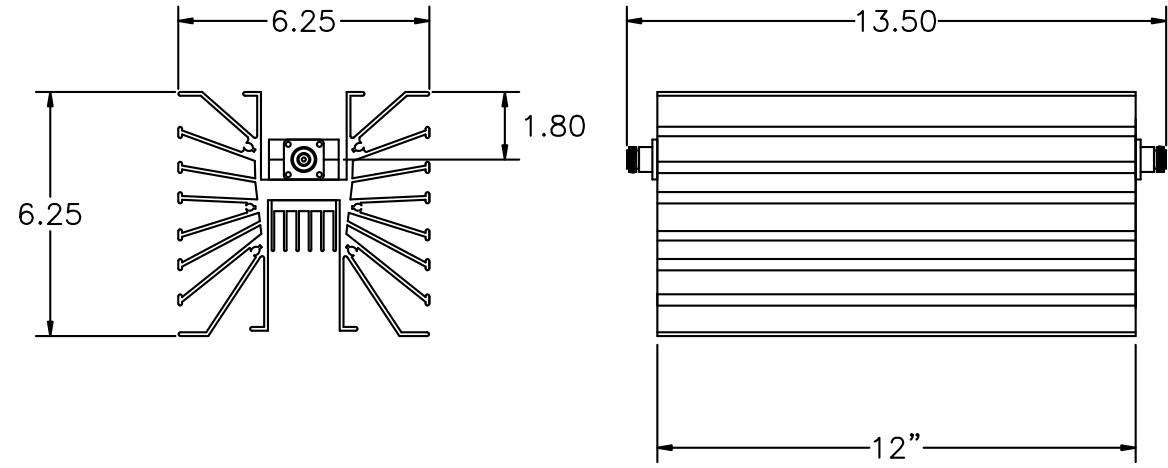


REVISIONS					
ZONE	REV	DESCRIPTION	Date	APPROVED	ECN#



**MATERIALS**

- HOUSING ALUMINUM, BLACK ANODIZE
- CONNECTOR TYPE "N" FEMALE CONFORMS TO MIL-C-39012
- HEAT SPREADER COPPER
- SUBSTRATE BERYLLIUM OXIDE
- RESISTIVE ELEMENT THICK FILM
- COOLING CONVECTION AIR FAN COOLED

**SPECIFICATIONS**

- IMPEDANCE: 50 OHMS
- FREQUENCY RANGE: DC TO 2.4 GHz
- VSWR (MAX): 1.25:1-DC TO 1 GHz
- 1.35:1-1 TO 2.4 GHz
- PEAK POWER: 2kW MAX.
- WEIGHT: 11 lbs (5.0kg)
- ATTENUATION VALUE: 3 TO 9dB
- ATTEN. ACCURACY: ±.3dB OR 3% DC TO 1 GHz
- ±.75dB OR 5% 1 TO 2.4 GHz
- WHICHEVER IS GREATER

MATERIAL:			MICROWAVE COMMUNICATIONS LABORATORIES INC. 7255 30TH AVE. N. SAINT PETERSBURG, FL 33710 TEL: (727) 344-6254 FAX: (727) 381-6116 http://WWW.MCLI.COM		SCALE: N/A
			UNLESS OTHERWISE SPECIFIED: TOLERANCES IN (INCHES) OR [mm] (MILLIMETERS) FRACTIONS: ± 1/64 DECIMALS: ±.01 ±.005 ANGLE: ±1/2°		SHEET: N/A
DRAWING TITLE:		500 WATTS ATTENUATOR			
PART NO.:		PCA-500-NF-X (3dB TO 9dB)			
DRAWN: Paiboon Luekhamhan		DATE: 03-08-2005		<small>PROPRIETARY NOTICE: THE INFORMATION IN THIS DRAWING IS PROPRIETARY AND SHALL NOT BE USED OR DISCLOSED WITHOUT WRITTEN PERMISSION FROM MICROWAVE COMMUNICATIONS LABORATORIES INC. (MCLI)</small>	<small>THIRD ANGLE PROJECTION</small> 
APPROVED: T. Nguyen		DATE: 03-08-2005			
		SIZE: N/A	REV: N/A	DWG NO. 82312	
DO NOT SCALE THE DRAWING					