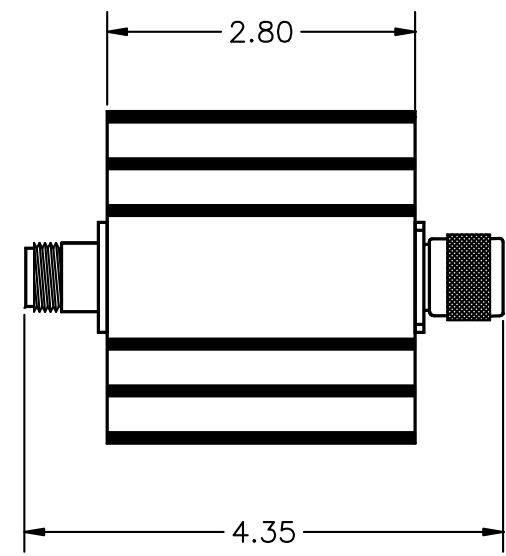
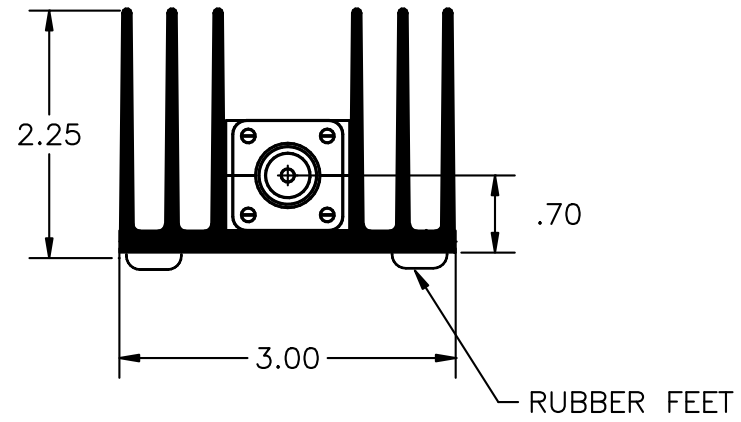


REVISIONS					
ZONE	REV	DESCRIPTION	Date	APPROVED	ECN#



SPECIFICATIONS:

FREQUENCY RANGE: DC to 2.5 GHz  
 VSWR:  
   1.15:1 – DC to 1 GHz  
   1.35:1 – 1 to 2.5 GHz  
 ATTENUATION VALUE: 3 to 30 dB  
 ATTENUATION ACCURACY: ±.3 dB or 3% W.I.G.  
 PEAK POWER: 1 KW Max.  
 WEIGHT: 3/4 Lbs (.35 Kg) MAX.

MATERIALS:

CONNECTOR: NICKEL PLATED BRASS  
 EXTRUSION: BLACK ANODIZED ALUMINUM  
 HEAT SPREADER: COPPER  
 SUBSTRATE: BERYLLIUM OXIDE  
 RESISTIVE ELEMENT: PROPRIETARY FILM

MATERIAL:		MICROWAVE COMMUNICATIONS LABORATORIES INC. 7255 30TH AVE. N. SAINT PETERSBURG, FL 33710 TEL: (727) 344-6254 FAX: (727) 381-6116 http://WWW.MCLI.COM	SCALE:	N/A		
			SHEET:	N/A		
DRAWING TITLE:		30 WATTS ATTENUATOR				
PART NO.:		PCA-30-NF-X				
DRAWN:	DATE:	UNLESS OTHERWISE SPECIFIED: TOLERANCES IN (INCHES) OR [mm] (MILLIMETERS) FRACTIONS: ± 1/64 DECIMALS: ±.01 ±.005 ANGLE: ±1/2°	CAGE CODE:	SIZE:	REV:	DWG NO.:
APPROVED:	DATE:		OD2L5	N/A	N/A	82316
DRAWN: Paiboon Luekhamhan DATE: 03-08-2005 APPROVED: T. Nguyen DATE: 03-08-2005		PROPRIETARY NOTICE: THE INFORMATION IN THIS DRAWING IS PROPRIETARY AND SHALL NOT BE USED OR DISCLOSED WITHOUT WRITTEN PERMISSION FROM MICROWAVE COMMUNICATIONS LABORATORIES INC. (MCLI)	THIRD ANGLE PROJECTION 			
DO NOT SCALE THE DRAWING						