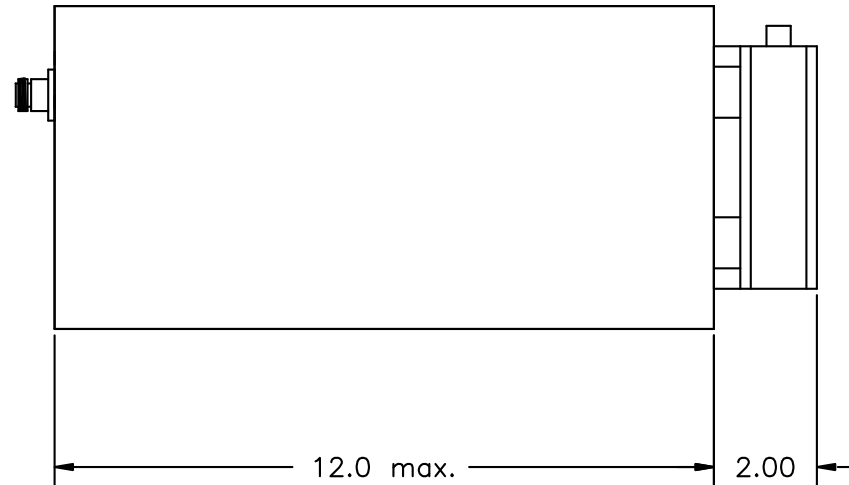
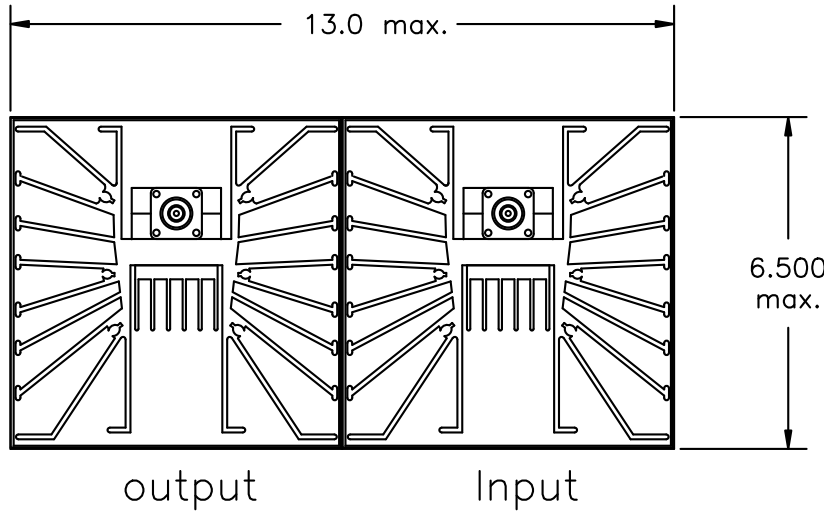


REVISIONS				
ZONE	REV	DESCRIPTION	DATE	APPROVED



SPECIFICATIONS

FREQUENCY RANGE DC to 500 MHz
 VSWR (MAX) 1.25:1 MAX
 INPUT POWER 2000 WATTS, CW
 COOLING CON. AIR FAN COOLED
 ATTENUATIONS VALUES 3dB to 30dB
 ATTENUATION ACCURACY ±.3dB OR 3%
 WEIGHT 25lbs OR 11.34 kg

MATERIAL:		MCLI MICROWAVE COMMUNICATIONS LABORATORIES INC. 7255 30TH AVE. N. SAINT PETERSBURG, FL 33710 TEL: (727) 344-6254 FAX: (727) 381-6116 http://www.mcli.com	SCALE: N/A
			SHEET: N/A
UNLESS OTHERWISE SPECIFIED: TOLERANCES IN (INCHES) OR [mm] (MILLIMETERS) FRACTIONS: ± 1/64 DECIMALS: ±.01 ±.005 ANGLE: ±1/2°		DRAWING TITLE: 2000 WATTS ATTENUATOR	
DRAWN: Paiboon Luekhamhan		PART NO.: PCA-2000-NF-X	
DATE: 03-08-2005	DATE: 03-08-2005	CAGE CODE: OD2L5	SIZE: N/A
APPROVED: T. Nguyen	DATE: 03-08-2005	REV: N/A	DWG NO.: 82319
THIRD ANGLE PROJECTION		DO NOT SCALE THE DRAWING	