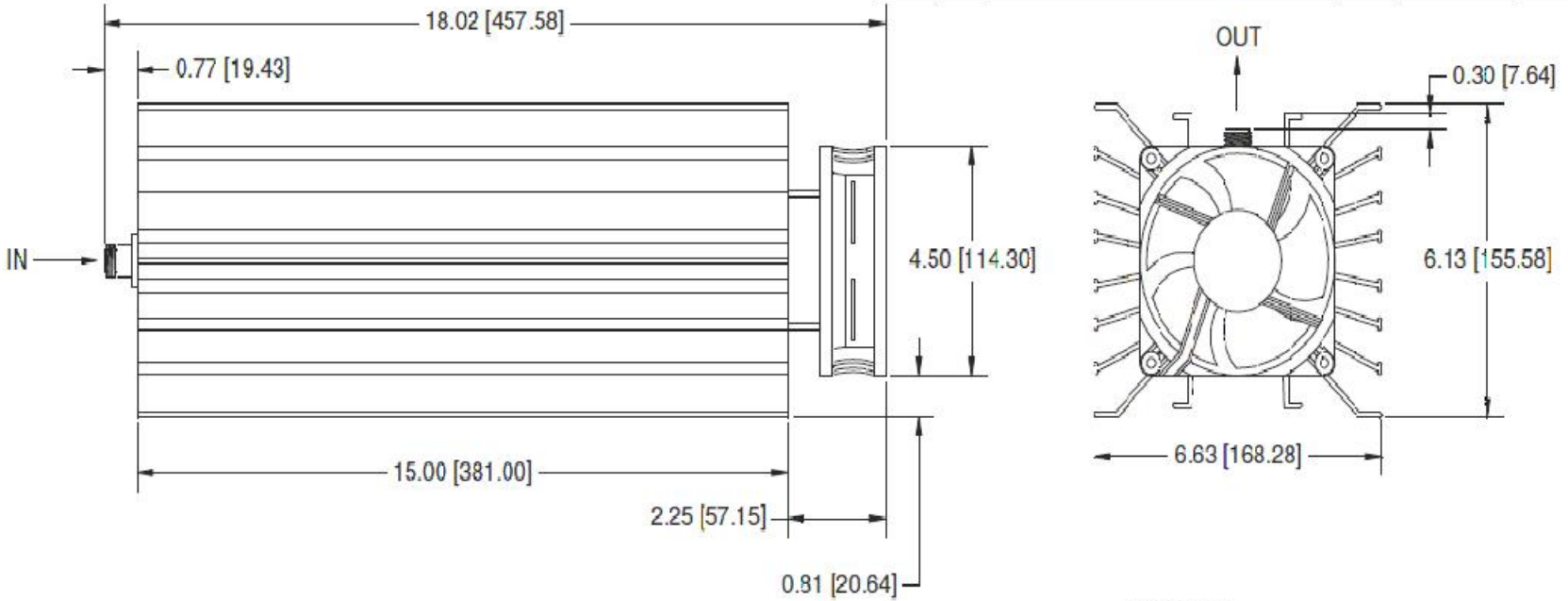


REVISIONS					
ZONE	REV	DESCRIPTION	Date	APPROVED	ECN#



**SPECIFICATIONS**

FREQUENCY RANGE DC to 2.5 GHz  
 VSWR 1.40:1 Max.  
 AVERAGE POWER 1500 Watts (Derated Linearly to 10 Watts @ 125°C)  
 PEAK POWER 5000 Watts (5 uSec Pulse Width at 5% Duty Cycle)  
 ATTENUATION VALUE 40dB  
 ATTENUATION ACCURACY ±2.0dB  
 OPERATING TEMPERATURE -20°C to +55°C

**MATERIALS**

HOUSING/FAN ALUMINUM, BLACK ANODIZE  
 CONNECTOR 7/16 DIN FEMALE INPUT, NF OUTPUT  
 PASSIVATED STAINLESS STEEL

		MICROWAVE COMMUNICATIONS LABORATORIES INC. 7256 30TH AVE. N. SAINT PETERSBURG, FL 33710 TEL: (727) 344-6254 FAX: (727) 381-6116 <a href="http://WWW.MCL.COM">http://WWW.MCL.COM</a>		SCALE: N/A
		UNLESS OTHERWISE SPECIFIED: TOLERANCES IN (INCHES) OR (mm) (MILLIMETERS) FRACTIONS: ± 1/64 DECIMALS: ± 0.01 ± 0.05 ANGLE: ± 1/2°		SHEET: N/A
DRAWN: Paiboon Luekhamhan		DATE: 08-13-2013		DRAWING TITLE: 1500 WATTS COAXIAL ATTENUATOR
APPROVED: T. Nguyen		DATE: 08-13-2013		PART NO: PCA-1500-716NF-40
SPECIFIC INFO: THE INFORMATION IN THIS DRAWING IS UNCLASSIFIED AND SHALL NOT BE USED IN ANY MANNER THAT REFLECTS ON THE REPUTATION OF MCL OR THE UNITED STATES GOVERNMENT		DATE CODE: 0D2L5	SIZE: N/A	REV: N/A
THIRD ANGLE PROJECTION 		DO NOT SCALE THE DRAWING		DWG NO: 86309