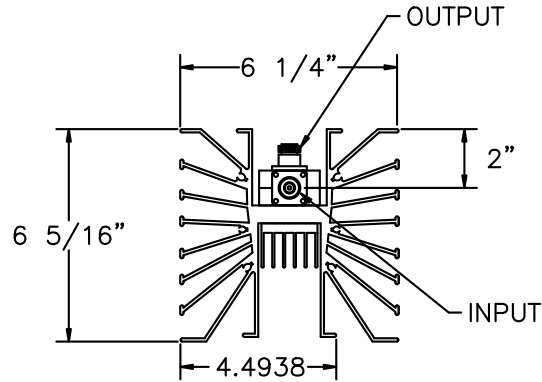
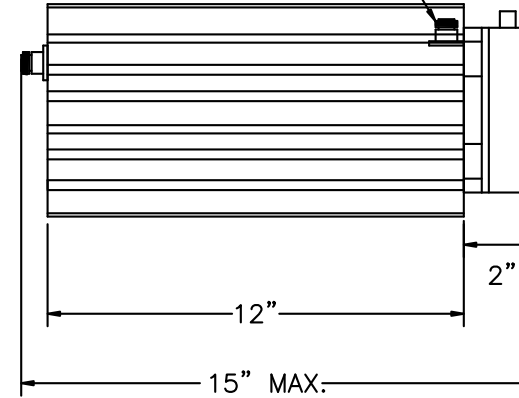


REVISIONS					
ZONE	REV	DESCRIPTION	Date	APPROVED	ECN#



UNIT IS NOT BI-DIRECTIONAL

HIDDEN FOR REFERENCE ONLY



SPECIFICATIONS

IMPEDANCE: 50 OHMS
 FREQUENCY RANGE: DC TO 2.4 GHz
 VSWR (MAX): 1.25:1-DC TO 1 GHz
 1.35:1-1 TO 2.4 GHz
 PEAK POWER: 2kW MAX.
 WEIGHT: 17 lbs (7.7kg) MAX.
 ATTENUATION VALUE: 3 TO 40dB
 ATTEN. ACCURACY: ±.3dB OR 3% DC TO 1 GHz
 ±.75dB OR 5% 1 TO 2.4 GHz
 WHICHEVER IS GREATER

MATERIALS

HOUSING ALUMINUM, BLACK ANODIZE
 CONNECTOR TYPE "N" FEMALE CONFORMS TO MIL-C-39012
 HEAT SPREADER COPPER
 SUBSTRATE BERYLLIUM OXIDE
 RESISTIVE ELEMENT THICK FILM
 COOLING CONVECTION AIR FAN COOLED

MATERIAL:		MICROWAVE COMMUNICATIONS LABORATORIES INC. 7255 30TH AVE. N. SAINT PETERSBURG, FL 33710 TEL: (727) 344-6254 FAX: (727) 381-6116 http://WWW.MCLI.COM	SCALE:	N/A
			SHEET:	N/A
UNLESS OTHERWISE SPECIFIED: TOLERANCES IN (INCHES) OR [mm] (MILLIMETERS) FRACTIONS: ± 1/64 DECIMALS: ±.01 ±.005 ANGLE: ±1/2°		DRAWING TITLE: 1000 WATTS ATTENUATOR		
DRAWN: Paiboon Luekhamhan		PART NO. PCA-1000-NF-X		
DATE: 03-08-2005		CAGE CODE: 0D2L5		
APPROVED: T. Nguyen		DATE: 03-08-2005		
PROPRIETARY NOTICE: THE INFORMATION IN THIS DRAWING IS PROPRIETARY AND SHALL NOT BE USED OR DISCLOSED WITHOUT WRITTEN PERMISSION FROM MICROWAVE COMMUNICATIONS LABORATORIES INC. (MCLI)		SIZE: N/A	REV: N/A	DWG NO. 82313
THIRD ANGLE PROJECTION		DO NOT SCALE THE DRAWING		