

**MECHANICAL**

CONTACT: BREAK BEFORE MAKE  
 ACTUATOR: LATCHING  
 SWITCHING SPEED: 20 mSEC MAX

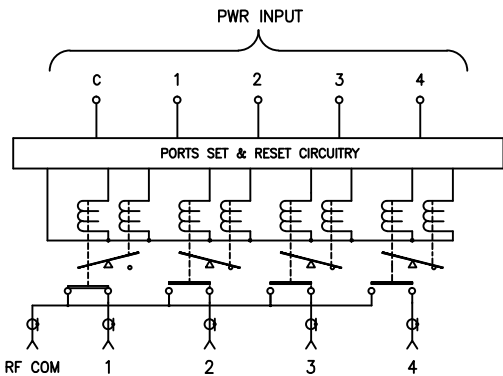
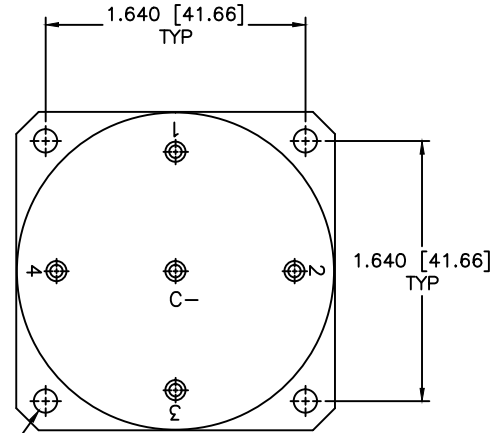
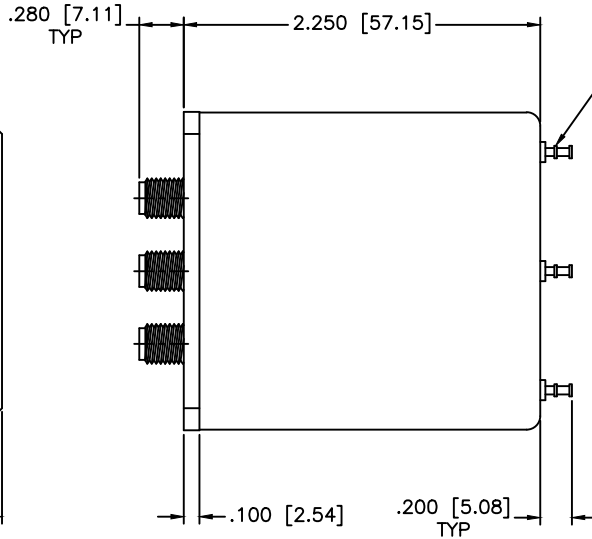
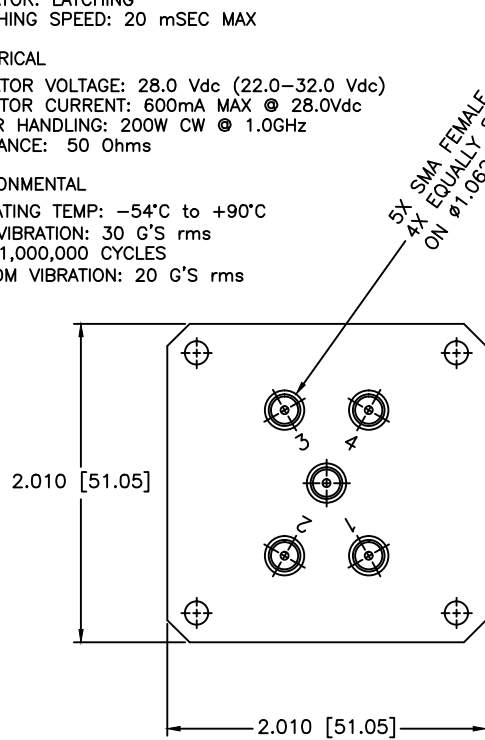
**ELECTRICAL**

ACTUATOR VOLTAGE: 28.0 Vdc (22.0–32.0 Vdc)  
 ACTUATOR CURRENT: 600mA MAX @ 28.0Vdc  
 POWER HANDLING: 200W CW @ 1.0GHz  
 IMPEDANCE: 50 Ohms

**ENVIRONMENTAL**

OPERATING TEMP: -54°C to +90°C  
 SINE VIBRATION: 30 G'S rms  
 LIFE: 1,000,000 CYCLES  
 RANDOM VIBRATION: 20 G'S rms

REVISIONS				
ZONE	REV	DESCRIPTION	Date	APPROVED



**SPECIFICATIONS**

Frequency Range: DC–12.4 GHz  
 VSWR: 1.40:1 Max.  
 Insertion Loss: 0.40dB Max.  
 Isolation: 70dB Min.  
 Impedance: 50 Ohms

MATERIAL:	
DRAWN: Paiboon Luekhamhan	DATE: 04-05-2011
APPROVED: T. Nguyen	DATE: 04-05-2011

<p>MICROWAVE COMMUNICATIONS LABORATORIES INC.                  7255 30TH AVE. N. SAINT PETERSBURG, FL 33710                  TEL: (727) 344-6254 FAX: (727) 381-6116                  http://WWW.MCLI.COM</p>	SCALE: N/A
	SHEET: N/A
UNLESS OTHERWISE SPECIFIED: TOLERANCES IN (INCHES) OR [mm] (MILLIMETERS) FRACTIONS: ± 1/64 DECIMALS: ±.02 ±.008 ANGLE: ±1/2°	
DRAWING TITLE: ELECTROMECHANICAL SWITCHES	
PART NO. 04-6-L/28N/LPM	
CAGE CODE: OD2L5	SIZE: N/A
REV: N/A	DWG. NO. 82719
DO NOT SCALE THE DRAWING	

4X Ø.147 [Ø3.73] THRU