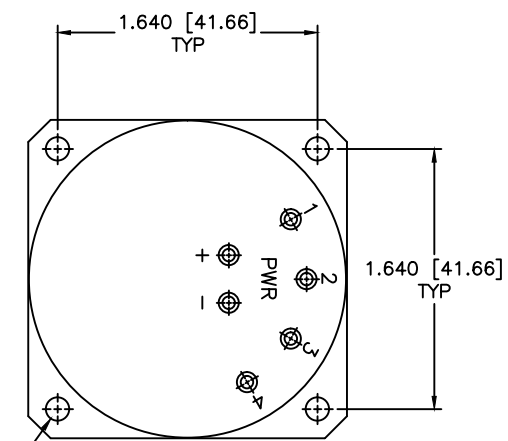
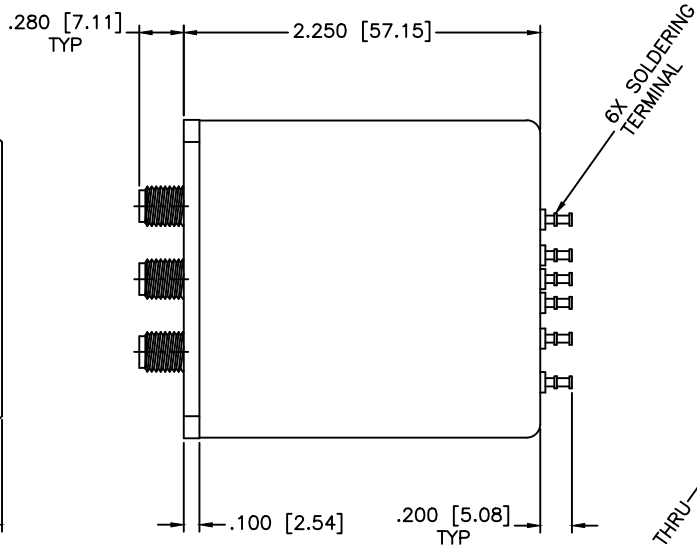
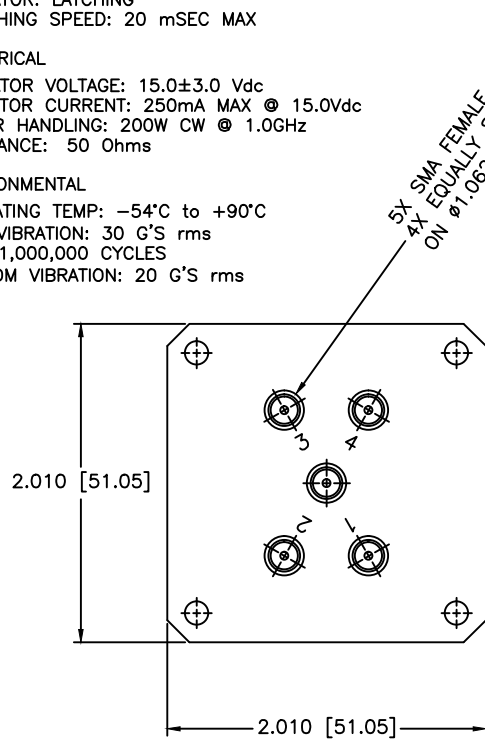


MECHANICAL
 CONTACT: BREAK BEFORE MAKE
 ACTUATOR: LATCHING
 SWITCHING SPEED: 20 mSEC MAX

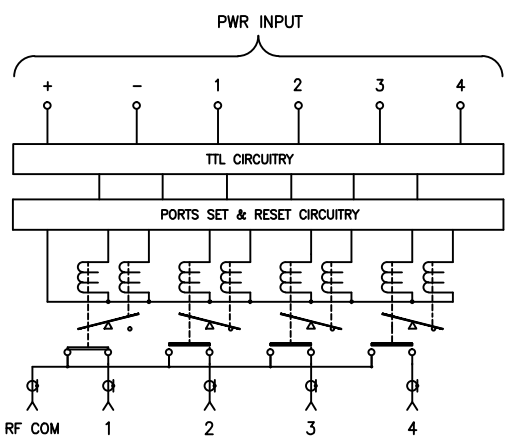
ELECTRICAL
 ACTUATOR VOLTAGE: 15.0±3.0 Vdc
 ACTUATOR CURRENT: 250mA MAX @ 15.0Vdc
 POWER HANDLING: 200W CW @ 1.0GHz
 IMPEDANCE: 50 Ohms

ENVIRONMENTAL
 OPERATING TEMP: -54°C to +90°C
 SINE VIBRATION: 30 G'S rms
 LIFE: 1,000,000 CYCLES
 RANDOM VIBRATION: 20 G'S rms

REVISIONS			
ZONE	REV	DESCRIPTION	APPROVED



SPECIFICATIONS
 Frequency Range: DC-6.0 GHz
 VSWR: 1.30:1 Max.
 Insertion Loss: 0.30dB Max.
 Isolation: 80dB Min.
 Impedance: 50 Ohms



MATERIAL:	
DRAWN: Paiboon Luekhamhan	DATE: 04-04-2001
APPROVED: T. Nguyen	DATE: 04-04-2001

MCLI MICROWAVE COMMUNICATIONS LABORATORIES INC. 7255 30TH AVE. N. SAINT PETERSBURG, FL 33710 TEL: (727) 344-6254 FAX: (727) 381-6116 http://WWW.MCLI.COM	SCALE: N/A
	SHEET: N/A
UNLESS OTHERWISE SPECIFIED: TOLERANCES IN (INCHES) OR [mm] (MILLIMETERS) FRACTIONS: ± 1/64 DECIMALS: ±.02 ±.008 ANGLE: ±1/2°	
DRAWING TITLE: ELECTROMECHANICAL SWITCHES	
PART NO. 04-4-LL/15	
CAGE CODE: OD2L5	SIZE: N/A
REV: N/A	DWG. NO. 81687
DO NOT SCALE THE DRAWING	

THIRD ANGLE PROJECTION