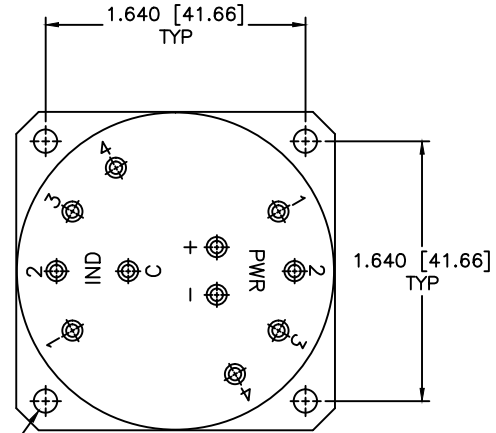
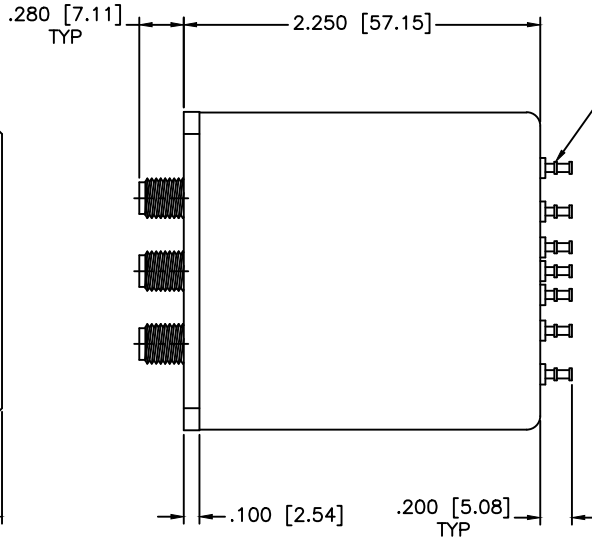
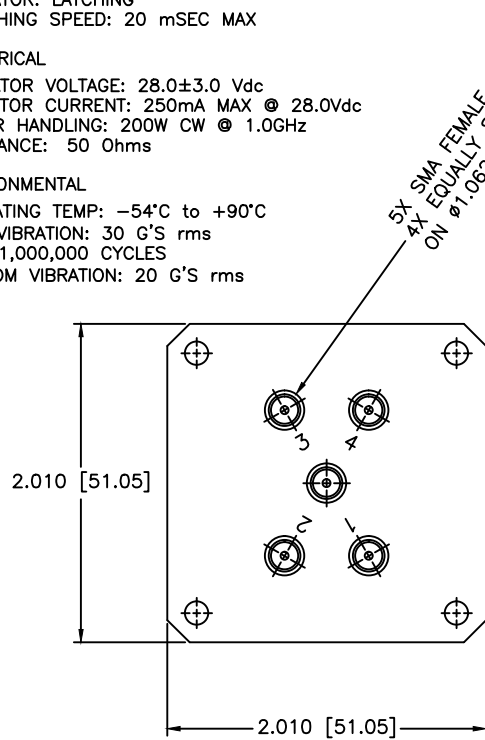


MECHANICAL
 CONTACT: BREAK BEFORE MAKE
 ACTUATOR: LATCHING
 SWITCHING SPEED: 20 mSEC MAX

ELECTRICAL
 ACTUATOR VOLTAGE: 28.0±3.0 Vdc
 ACTUATOR CURRENT: 250mA MAX @ 28.0Vdc
 POWER HANDLING: 200W CW @ 1.0GHz
 IMPEDANCE: 50 Ohms

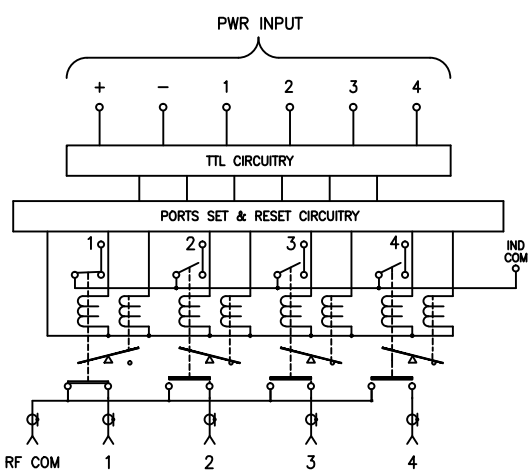
ENVIRONMENTAL
 OPERATING TEMP: -54°C to +90°C
 SINE VIBRATION: 30 G'S rms
 LIFE: 1,000,000 CYCLES
 RANDOM VIBRATION: 20 G'S rms

REVISIONS				
ZONE	REV	DESCRIPTION	Date	APPROVED



SPECIFICATIONS

Frequency Range: DC-6.0 GHz
 VSWR: 1.30:1 Max.
 Insertion Loss: 0.30dB Max.
 Isolation: 80dB Min.
 Impedance: 50 Ohms



MATERIAL:

DRAWN:	Paiboon Luekhamhan	DATE:	02-07-2011
APPROVED:	T. Nguyen	DATE:	02-07-2011

MCLI MICROWAVE COMMUNICATIONS LABORATORIES INC.
 7255 30TH AVE. N. SAINT PETERSBURG, FL 33710
 TEL: (727) 344-6254 FAX: (727) 381-6116
 http://WWW.MCLI.COM

UNLESS OTHERWISE SPECIFIED:
 TOLERANCES
 IN (INCHES) OR [mm] (MILLIMETERS)
 FRACTIONS: ± 1/64
 DECIMALS: ± .02 ± .008
 ANGLE: ± 1/2°

THIRD ANGLE PROJECTION

SCALE:	N/A
SHEET:	N/A
DRAWING TITLE: ELECTROMECHANICAL SWITCHES	
PART NO. 04-4-LIL	
CAGE CODE:	OD2L5
SIZE:	N/A
REV:	N/A
DWG NO.	85364

DO NOT SCALE THE DRAWING