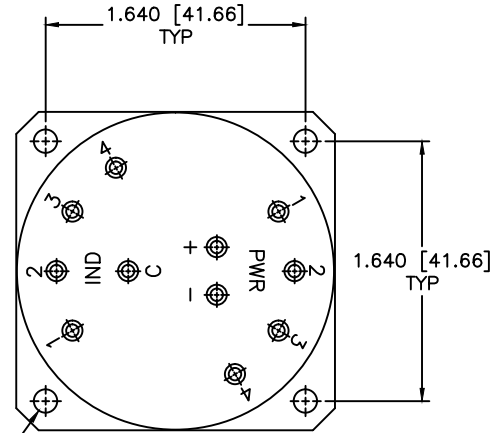
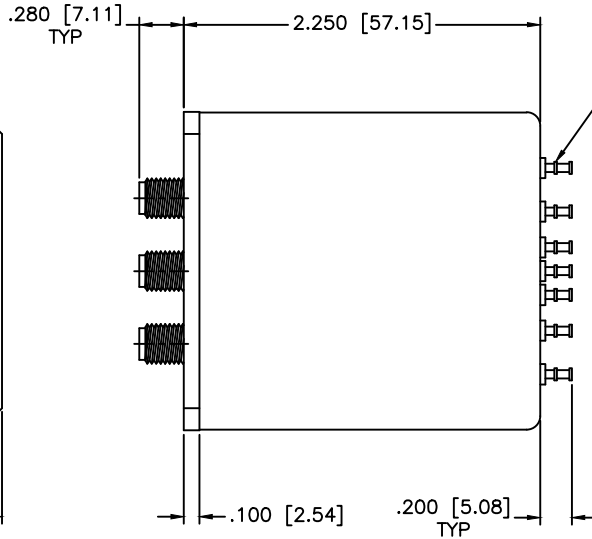
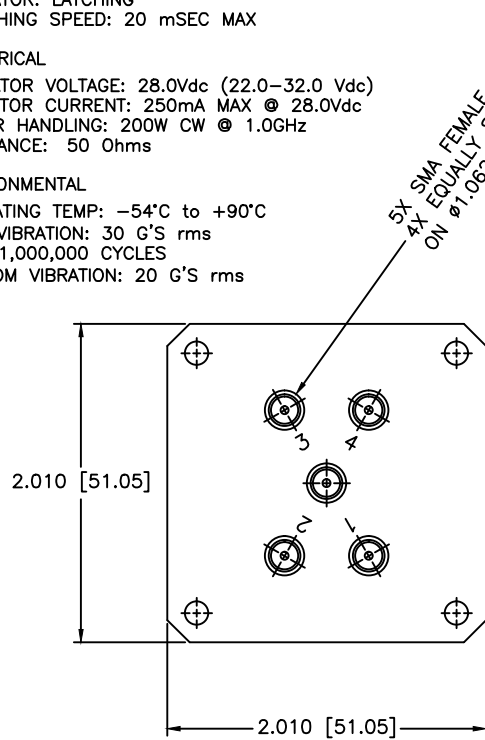


**MECHANICAL**  
 CONTACT: BREAK BEFORE MAKE  
 ACTUATOR: LATCHING  
 SWITCHING SPEED: 20 mSEC MAX

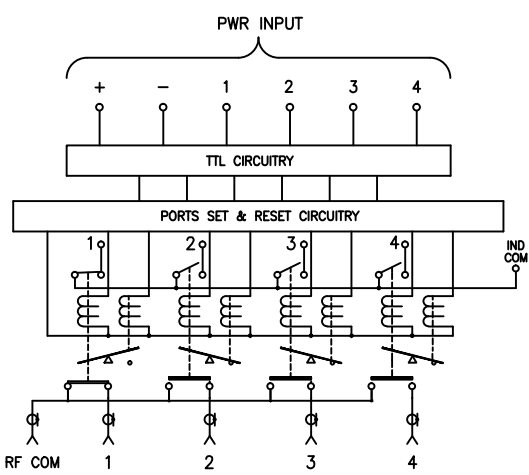
**ELECTRICAL**  
 ACTUATOR VOLTAGE: 28.0Vdc (22.0-32.0 Vdc)  
 ACTUATOR CURRENT: 250mA MAX @ 28.0Vdc  
 POWER HANDLING: 200W CW @ 1.0GHz  
 IMPEDANCE: 50 Ohms

**ENVIRONMENTAL**  
 OPERATING TEMP: -54°C to +90°C  
 SINE VIBRATION: 30 G'S rms  
 LIFE: 1,000,000 CYCLES  
 RANDOM VIBRATION: 20 G'S rms

REVISIONS				
ZONE	REV	DESCRIPTION	Date	APPROVED



**SPECIFICATIONS**  
 Frequency Range: DC-4.0 GHz  
 VSWR: 1.25:1 Max.  
 Insertion Loss: 0.25dB Max.  
 Isolation: 80dB Min.  
 Impedance: 50 Ohms



MATERIAL:

DRAWN: Paiboon Luengkhamhan	DATE: 03-04-1997
APPROVED: T. Nguyen	DATE: 03-04-1997

<p>MICROWAVE COMMUNICATIONS LABORATORIES INC.        7255 30TH AVE. N. SAINT PETERSBURG, FL 33710        TEL: (727) 344-6254 FAX: (727) 381-6116        http://WWW.MCLI.COM</p>	SCALE: N/A
	SHEET: N/A
<p>UNLESS OTHERWISE SPECIFIED:        TOLERANCES        IN (INCHES) OR [mm] (MILLIMETERS)        FRACTIONS: ± 1/64        DECIMALS: ±.02 ±.008        ANGLE: ±1/2°</p>	
<p>DRAWING TITLE:  <b>ELECTROMECHANICAL SWITCHES</b></p>	
<p>PART NO.  <b>04-3-LIL</b></p>	
CAGE CODE: OD2L5	SIZE: N/A
REV: N/A	DWG NO. 81845
<p>DO NOT SCALE THE DRAWING</p>	

4X Ø.147 [Ø3.73] THRU