

MECHANICAL

CONTACT: BREAK BEFORE MAKE
 ACTUATOR: LATCHING
 SWITCHING SPEED: 20 mSEC MAX

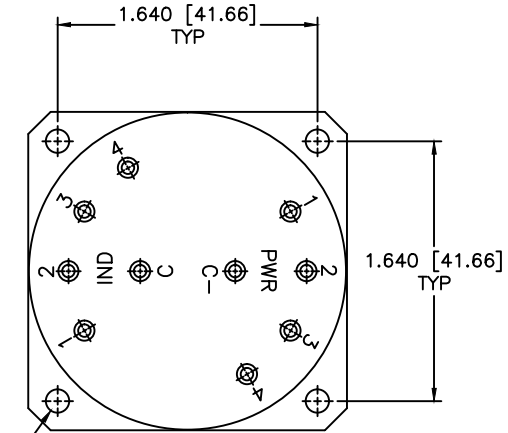
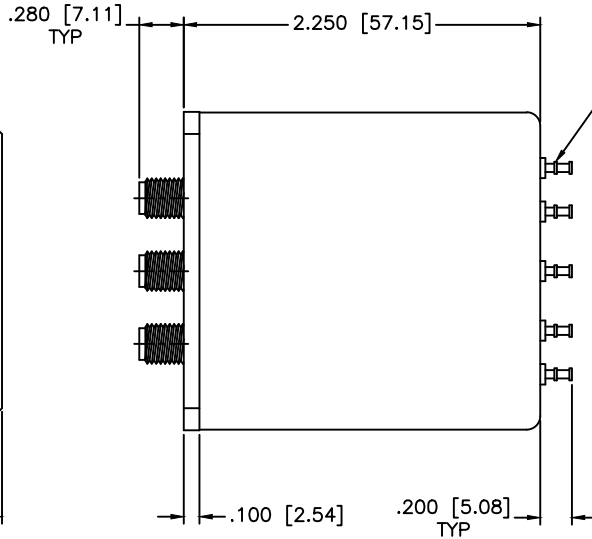
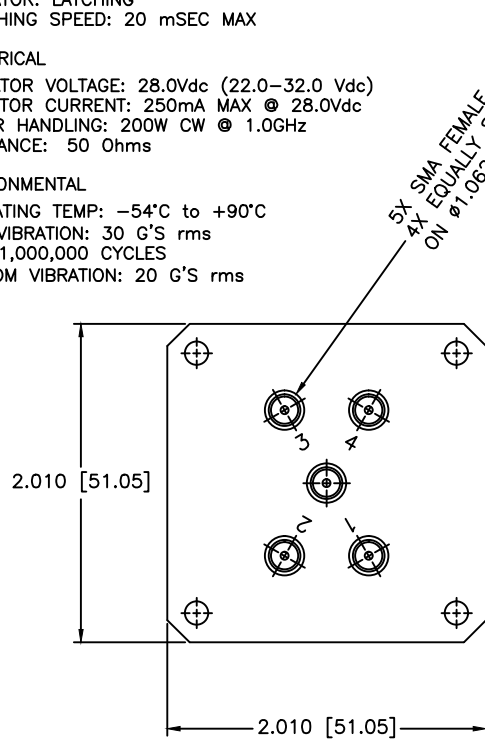
ELECTRICAL

ACTUATOR VOLTAGE: 28.0Vdc (22.0-32.0 Vdc)
 ACTUATOR CURRENT: 250mA MAX @ 28.0Vdc
 POWER HANDLING: 200W CW @ 1.0GHz
 IMPEDANCE: 50 Ohms

ENVIRONMENTAL

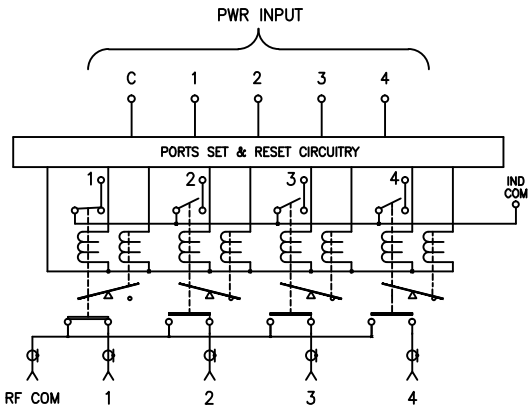
OPERATING TEMP: -54°C to +90°C
 SINE VIBRATION: 30 G'S rms
 LIFE: 1,000,000 CYCLES
 RANDOM VIBRATION: 20 G'S rms

REVISIONS				
ZONE	REV	DESCRIPTION	Date	APPROVED



SPECIFICATIONS

Frequency Range: DC-4.0 GHz
 VSWR: 1.25:1 Max.
 Insertion Loss: 0.25dB Max.
 Isolation: 80dB Min.
 Impedance: 50 Ohms



MATERIAL:	
DRAWN:	DATE:
Paiboon Luexhamhan	03-04-1997
APPROVED:	DATE:
T. Nguyen	03-04-1997

<p>MICROWAVE COMMUNICATIONS LABORATORIES INC. 7255 30TH AVE. N. SAINT PETERSBURG, FL 33710 TEL: (727) 344-6254 FAX: (727) 381-6116 http://WWW.MCLI.COM</p>	SCALE:	N/A
	SHEET:	N/A
UNLESS OTHERWISE SPECIFIED: TOLERANCES IN (INCHES) OR [mm] (MILLIMETERS) FRACTIONS: ± 1/64 DECIMALS: ± .02 ± .008 ANGLE: ± 1/2°	DRAWING TITLE:	
	ELECTROMECHANICAL SWITCHES	
	PART NO.	
	04-3-LI	
	CAGE CODE:	SIZE:
	OD2L5	N/A
		REV:
		N/A
	DO NOT SCALE THE DRAWING	
		DWG NO.
		81844

4x Ø.147 [Ø3.73] THRU