

MECHANICAL

CONTACT: BREAK BEFORE MAKE
 ACTUATOR: FAILSAFE
 SWITCHING SPEED: 20 mSEC MAX

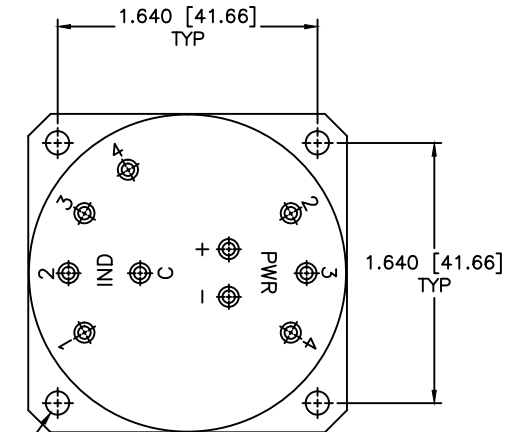
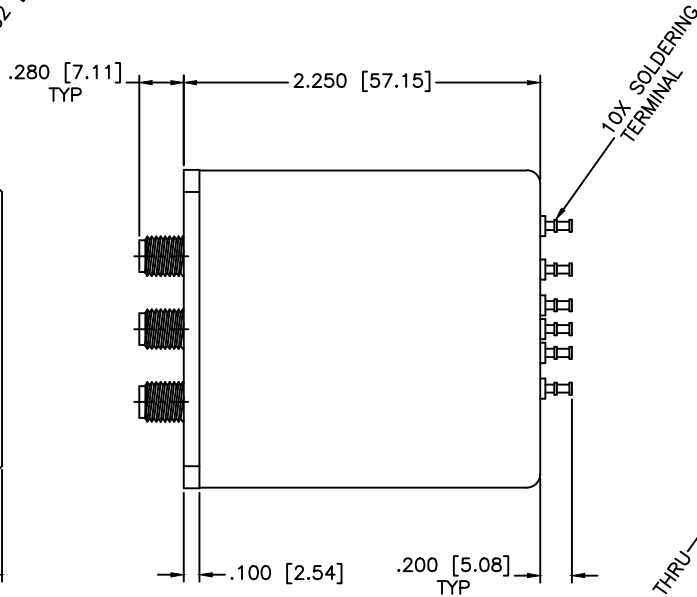
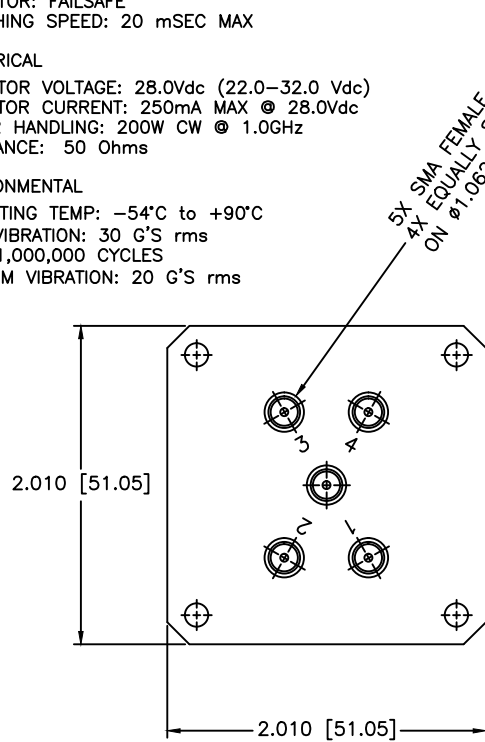
ELECTRICAL

ACTUATOR VOLTAGE: 28.0Vdc (22.0–32.0 Vdc)
 ACTUATOR CURRENT: 250mA MAX @ 28.0Vdc
 POWER HANDLING: 200W CW @ 1.0GHz
 IMPEDANCE: 50 Ohms

ENVIRONMENTAL

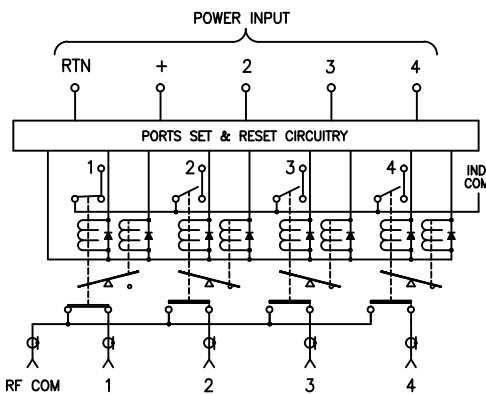
OPERATING TEMP: -54°C to +90°C
 SINE VIBRATION: 30 G'S rms
 LIFE: 1,000,000 CYCLES
 RANDOM VIBRATION: 20 G'S rms

REVISIONS				
ZONE	REV	DESCRIPTION	Date	APPROVED



SPECIFICATIONS

Frequency Range: DC–1.0 GHz
 VSWR: 1.20:1 Max.
 Insertion Loss: 0.20dB Max.
 Isolation: 90dB Min.
 Impedance: 50 Ohms



MATERIAL:

DATE: 04-04-2001

DATE: 04-04-2001

APPROVED: T. Nguyen

MCLI MICROWAVE COMMUNICATIONS LABORATORIES INC.
 7255 30TH AVE. N. SAINT PETERSBURG, FL 33710
 TEL: (727) 344-6254 FAX: (727) 381-6116
 http://WWW.MCLI.COM

UNLESS OTHERWISE SPECIFIED:
 TOLERANCES
 IN (INCHES) OR [mm] (MILLIMETERS)
 FRACTIONS: ± 1/64
 DECIMALS: ±.02 ±.008
 ANGLE: ±1/2°

THIRD ANGLE PROJECTION

SCALE: N/A
 SHEET: N/A

DRAWING TITLE: ELECTROMECHANICAL SWITCHES

PART NO. 04-1-FIS

CAGE CODE: OD2L5
 SIZE: N/A
 REV: N/A
 DWG. NO. 81685

DO NOT SCALE THE DRAWING