

MECHANICAL

CONTACT: BREAK BEFORE MAKE
 ACTUATOR: LATCHING
 SWITCHING SPEED: 20 mSEC MAX

ELECTRICAL

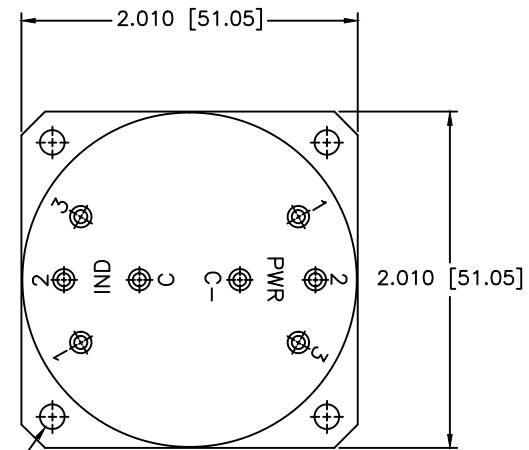
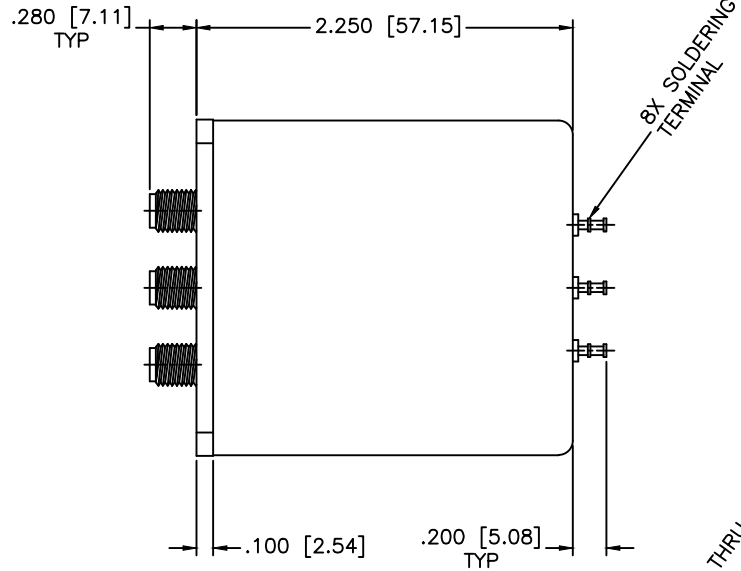
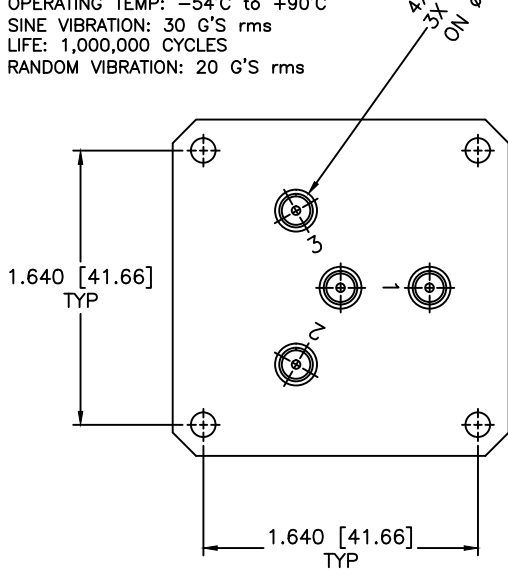
ACTUATOR VOLTAGE: 28.0Vdc (22.0-32.0 Vdc)
 ACTUATOR CURRENT: 300mA MAX @ 28.0Vdc
 POWER HANDLING: 200W CW @ 1.0GHz
 IMPEDANCE: 50 Ohms

ENVIRONMENTAL

OPERATING TEMP: -54°C to +90°C
 SINE VIBRATION: 30 G'S rms
 LIFE: 1,000,000 CYCLES
 RANDOM VIBRATION: 20 G'S rms

REVISIONS				
ZONE	REV	DESCRIPTION	Date	APPROVED

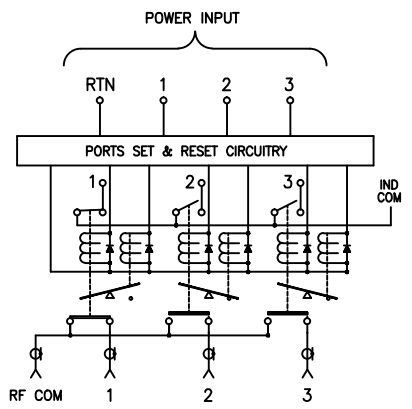
4X SMA FEMALE
 3X EQUALLY SPACED AT 120°
 ON Ø1.062 [Ø26.97] B.C.



8X SOLDERING
 TERMINAL
 4X Ø.147 [Ø3.73] THRU

SPECIFICATIONS

Frequency Range: DC-18.0 GHz
 VSWR: 1.50:1 Max.
 Insertion Loss: 0.50dB Max.
 Isolation: 60dB Min.
 Impedance: 50 Ohms



MATERIAL:	
DRAWN:	DATE:
Paiboon Luekhamhan	02-26-2009
APPROVED:	DATE:
T. Nguyen	02-26-2009

<p>MICROWAVE COMMUNICATIONS LABORATORIES INC. 7255 30TH AVE. N. SAINT PETERSBURG, FL 33710 TEL: (727) 344-6254 FAX: (727) 381-6116 http://WWW.MCLI.COM</p>	SCALE:	N/A
	SHEET:	N/A
UNLESS OTHERWISE SPECIFIED: TOLERANCES IN (INCHES) OR [mm] (MILLIMETERS) FRACTIONS: ± 1/64 DECIMALS: ±.02 ±.008 ANGLE: ±1/2°	DRAWING TITLE:	
	ELECTROMECHANICAL SWITCHES	
	PART NO.	
	03-7-LIS	
	CAGE CODE:	SIZE:
	OD2L5	N/A
	REV:	REV:
		N/A
	DO NOT SCALE THE DRAWING	
	DWG. NO.	84209

PROPRIETARY NOTICE:
 THE INFORMATION IN THIS DRAWING IS PROPRIETARY
 AND SHALL NOT BE USED OR DISCLOSED WITHOUT WRITTEN
 PERMISSION FROM MICROWAVE COMMUNICATIONS
 LABORATORIES INC. (MCLI)
 THIRD ANGLE PROJECTION