

**MECHANICAL**

CONTACT: BREAK BEFORE MAKE  
 ACTUATOR: LATCHING  
 SWITCHING SPEED: 20 mSEC MAX

**ELECTRICAL**

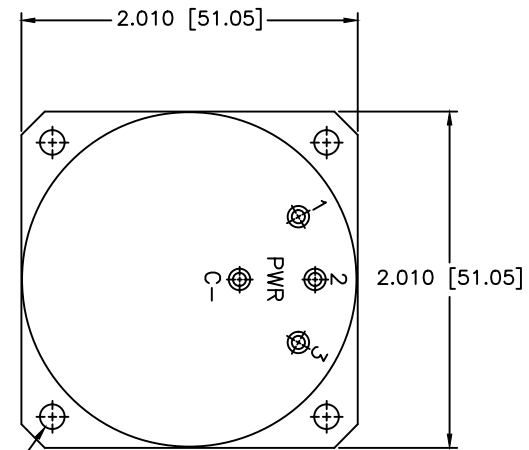
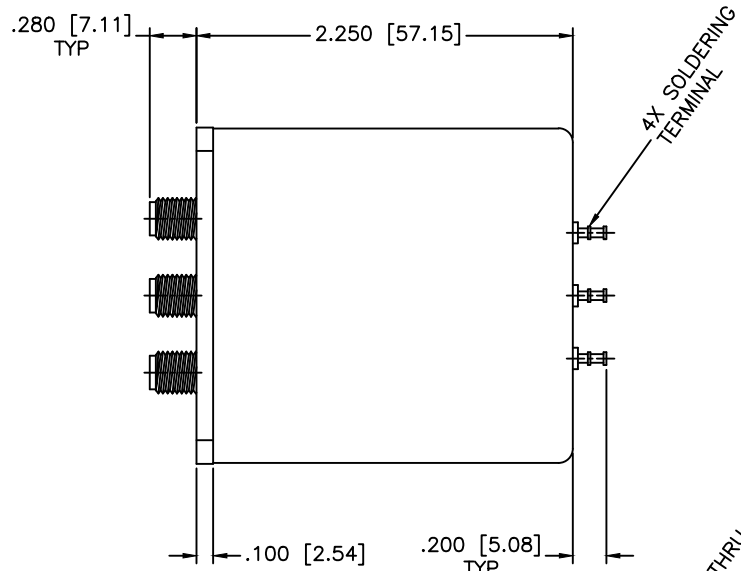
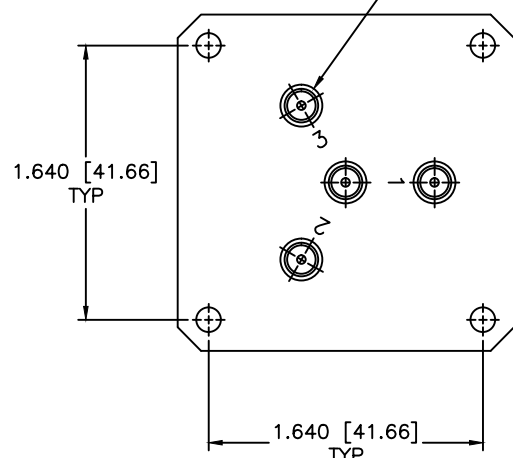
ACTUATOR VOLTAGE: 28.0±3.0 Vdc  
 ACTUATOR CURRENT: 250mA MAX @ 28.0Vdc  
 POWER HANDLING: 200W CW @ 1.0GHz  
 IMPEDANCE: 50 Ohms

**ENVIRONMENTAL**

OPERATING TEMP: -54°C to +90°C  
 SINE VIBRATION: 30 G'S rms  
 LIFE: 1,000,000 CYCLES  
 RANDOM VIBRATION: 20 G'S rms

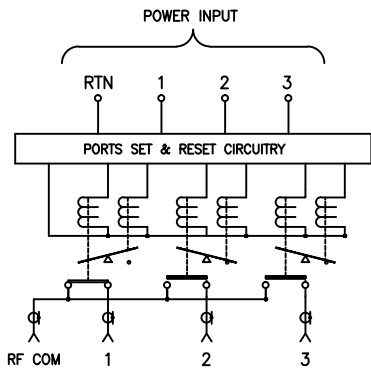
REVISIONS				
ZONE	REV	DESCRIPTION	Date	APPROVED

4X SMA FEMALE  
 3X EQUALLY SPACED AT 120°  
 ON Ø1.062 [Ø26.97] B.C.



4X SOLDERING  
 TERMINAL  
 4X Ø.147 [Ø3.73] THRU

**SPECIFICATIONS**  
 Frequency Range: DC-18.0 GHz  
 VSWR: 1.50:1 Max.  
 Insertion Loss: 0.50dB Max.  
 Isolation: 60dB Min.  
 Impedance: 50 Ohms



MATERIAL:	
DRAWN: Paiboon Luekhamhan	DATE: 04-04-2001
APPROVED: T. Nguyen	DATE: 04-04-2001

**MCLI** MICROWAVE COMMUNICATIONS LABORATORIES INC.  
 7255 30TH AVE. N. SAINT PETERSBURG, FL 33710  
 TEL: (727) 544-6254 FAX: (727) 381-6116  
 http://WWW.MCLI.COM

UNLESS OTHERWISE SPECIFIED:  
 TOLERANCES  
 IN (INCHES) OR [mm] (MILLIMETERS)  
 FRACTIONS: ± 1/64  
 DECIMALS: ± .02 ± .008  
 ANGLE: ± 1/2°

PROFESSIONAL INDEX:  
 THE INFORMATION IN THIS DRAWING IS PROPRIETARY  
 AND SHALL NOT BE USED OR DISCLOSED WITHOUT WRITTEN  
 PERMISSION FROM MICROWAVE COMMUNICATIONS  
 LABORATORIES INC. (MCLI)  
 THIRD ANGLE PROJECTION

SCALE:	N/A		
SHEET:	N/A		
DRAWING TITLE:	ELECTROMECHANICAL SWITCHES		
PART NO.:	03-7-L		
CAGE CODE:	SIZE:	REV:	DWG. NO.:
OD2L5	N/A	N/A	81681
DO NOT SCALE THE DRAWING			