

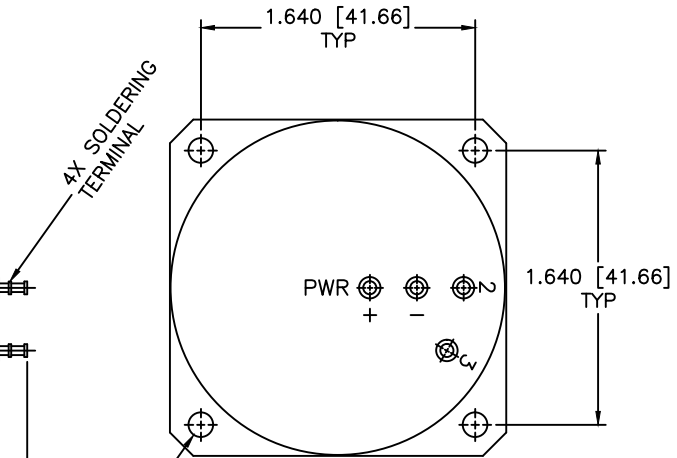
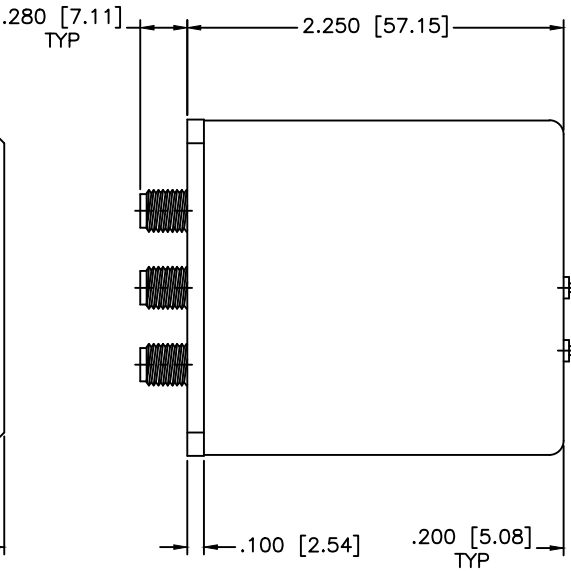
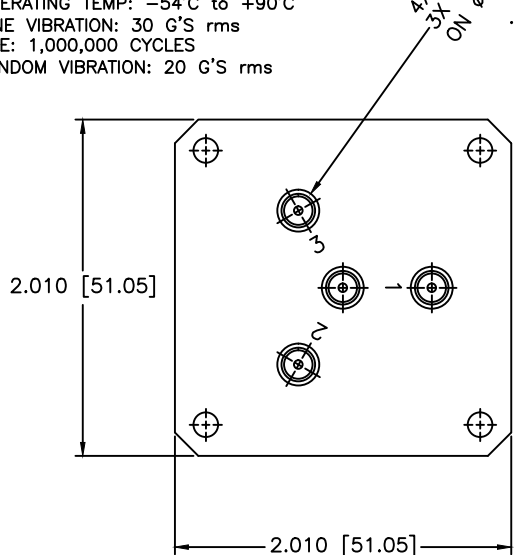
MECHANICAL
 CONTACT: BREAK BEFORE MAKE
 ACTUATOR: FAILSAFE
 SWITCHING SPEED: 20 mSEC MAX

ELECTRICAL
 ACTUATOR VOLTAGE: 28.0Vdc (22.0-32.0 Vdc)
 ACTUATOR CURRENT: 250mA MAX @ 28.0Vdc
 POWER HANDLING: 200W CW @ 1.0GHz
 IMPEDANCE: 50 Ohms

ENVIRONMENTAL
 OPERATING TEMP: -54°C to +90°C
 SINE VIBRATION: 30 G'S rms
 LIFE: 1,000,000 CYCLES
 RANDOM VIBRATION: 20 G'S rms

REVISIONS				
ZONE	REV	DESCRIPTION	Date	APPROVED

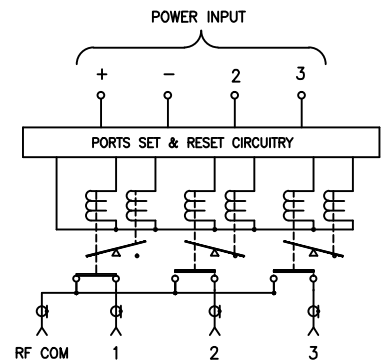
4X SMA FEMALE
 3X EQUALLY SPACED AT 120°
 ON Ø1.062 [Ø26.97] B.C.



4X SOLDERING
 TERMINAL

4X Ø.147 [Ø3.73] THRU

SPECIFICATIONS
 Frequency Range: DC-18.0 GHz
 VSWR: 1.50:1 Max.
 Insertion Loss: 0.50dB Max.
 Isolation: 60dB Min.
 Impedance: 50 Ohms



MATERIAL:	
DRAWN: Paiboon Luekhamhan	DATE: 11-23-2005
APPROVED: T. Nguyen	DATE: 11-23-2005

MCLI MICROWAVE COMMUNICATIONS LABORATORIES INC.
 7255 30TH AVE. N. SAINT PETERSBURG, FL 33710
 TEL: (727) 344-6254 FAX: (727) 381-6116
 http://WWW.MCLI.COM

UNLESS OTHERWISE SPECIFIED:
 TOLERANCES
 IN (INCHES) OR [mm] (MILLIMETERS)
 FRACTIONS: ± 1/64
 DECIMALS: ±.02 ±.008
 ANGLE: ±1/2°

PROFESSIONAL NOTICE:
 THE INFORMATION IN THIS DRAWING IS PROPRIETARY
 AND SHALL NOT BE USED OR DISCLOSED WITHOUT WRITTEN
 PERMISSION FROM MICROWAVE COMMUNICATIONS
 LABORATORIES INC. (MCLI)
 THIRD ANGLE PROJECTION

SCALE:	N/A		
SHEET:	N/A		
DRAWING TITLE:	ELECTROMECHANICAL SWITCHES		
PART NO.:	03-7-F/28		
CAGE CODE:	SIZE:	REV:	DWG. NO.:
OD2L5	N/A	N/A	82441
DO NOT SCALE THE DRAWING			