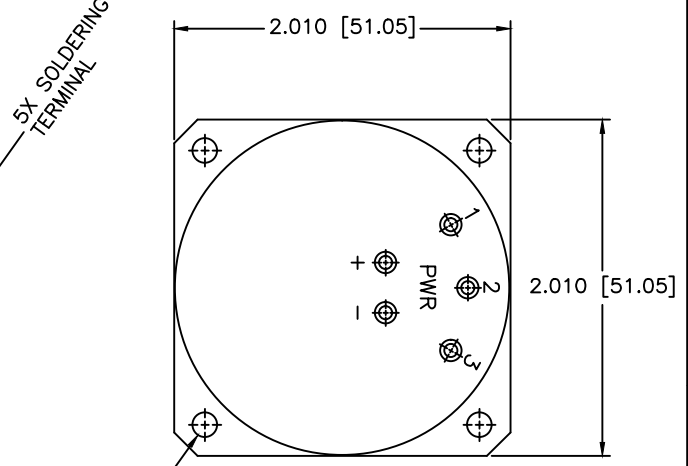
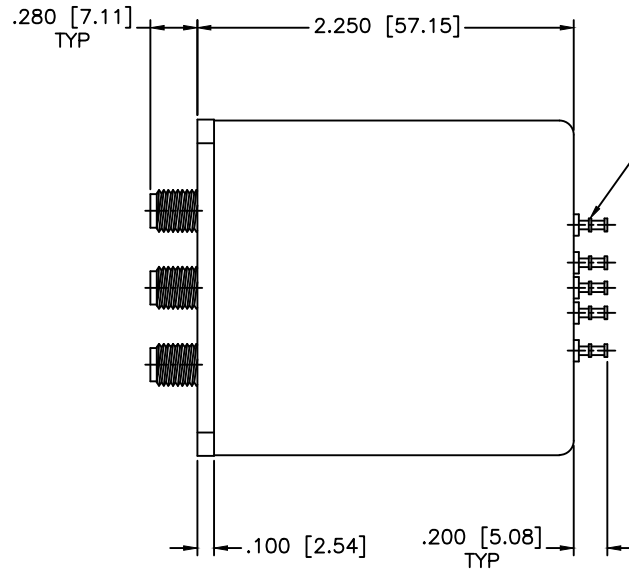
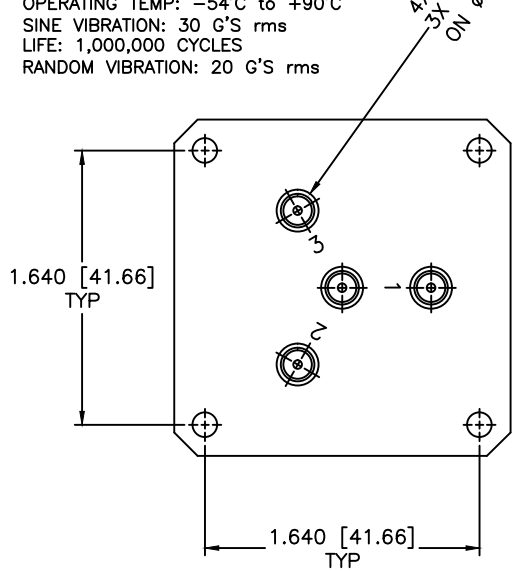


MECHANICAL
 CONTACT: BREAK BEFORE MAKE
 ACTUATOR: LATCHING
 SWITCHING SPEED: 20 mSEC MAX

ELECTRICAL
 ACTUATOR VOLTAGE: 12.0±3.0 Vdc
 ACTUATOR CURRENT: 250mA MAX @ 12.0Vdc
 POWER HANDLING: 200W CW @ 1.0GHz
 IMPEDANCE: 50 Ohms

ENVIRONMENTAL
 OPERATING TEMP: -54°C to +90°C
 SINE VIBRATION: 30 G'S rms
 LIFE: 1,000,000 CYCLES
 RANDOM VIBRATION: 20 G'S rms

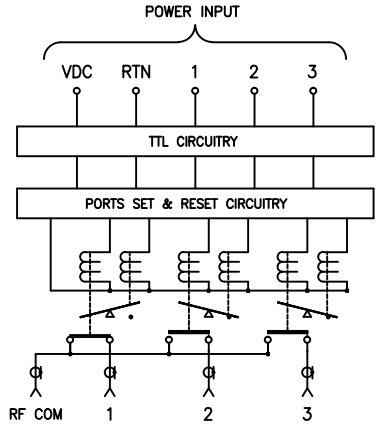
4X SMA FEMALE
 3X EQUALLY SPACED AT 120°
 ON Ø1.062 [Ø26.97] B.C.



4X Ø.147 [Ø3.73] THRU

REVISIONS				
ZONE	REV	DESCRIPTION	Date	APPROVED

SPECIFICATIONS
 Frequency Range: DC-2.0 GHz
 VSWR: 1.20:1 Max.
 Insertion Loss: 0.20dB Max.
 Isolation: 90dB Min.
 Impedance: 50 Ohms



MATERIAL:	
DRAWN: Paiboon Luengkhamhan	DATE: 09-24-2003
APPROVED: T. Nguyen	DATE: 09-24-2003

MCLI MICROWAVE COMMUNICATIONS LABORATORIES INC. 7255 30TH AVE. N. SAINT PETERSBURG, FL 33710 TEL: (727) 344-6254 FAX: (727) 381-6116 http://WWW.MCLI.COM	SCALE: N/A
	SHEET: N/A
DRAWING TITLE: ELECTROMECHANICAL SWITCHES	
PART NO. 03-2-LL/12	
CAGE CODE: OD2L5	SIZE: N/A
REV: N/A	DWG. NO. 83839
DO NOT SCALE THE DRAWING	

UNLESS OTHERWISE SPECIFIED:
 TOLERANCES
 IN (INCHES) OR [mm] (MILLIMETERS)
 FRACTIONS: ± 1/64
 DECIMALS: ±.02 ±.008
 ANGLE: ±1/2°

PROJECTIONS AND ANGLES:
 THE INFORMATION IN THIS DRAWING IS PROPRIETARY
 AND SHALL NOT BE USED OR DISCLOSED WITHOUT WRITTEN
 PERMISSION FROM MICROWAVE COMMUNICATIONS
 LABORATORIES INC. (MCLI)
 THIRD ANGLE PROJECTION