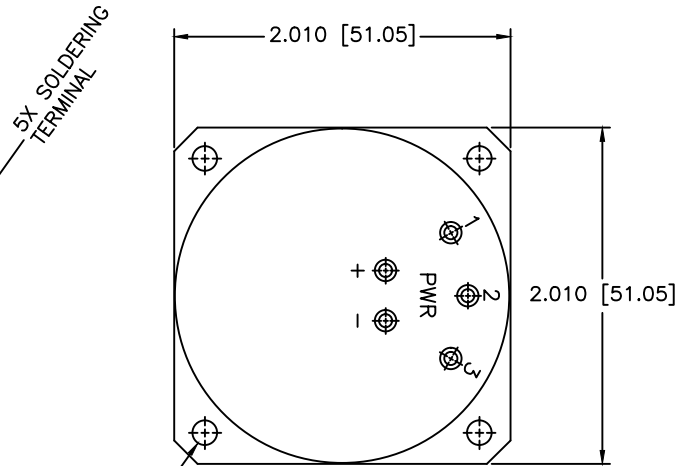
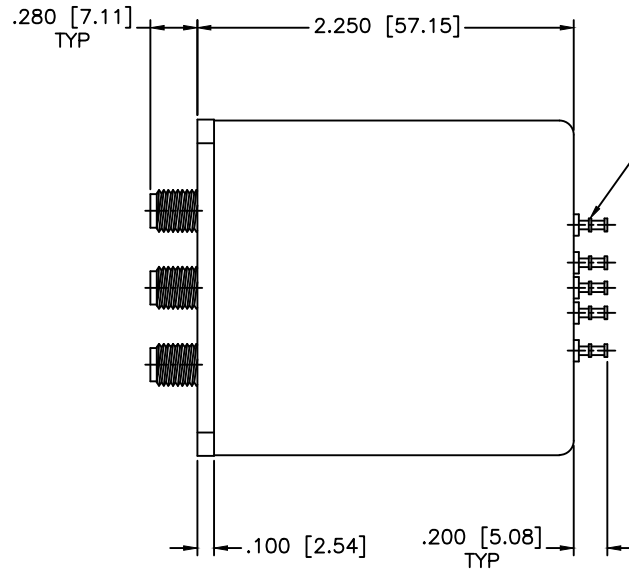
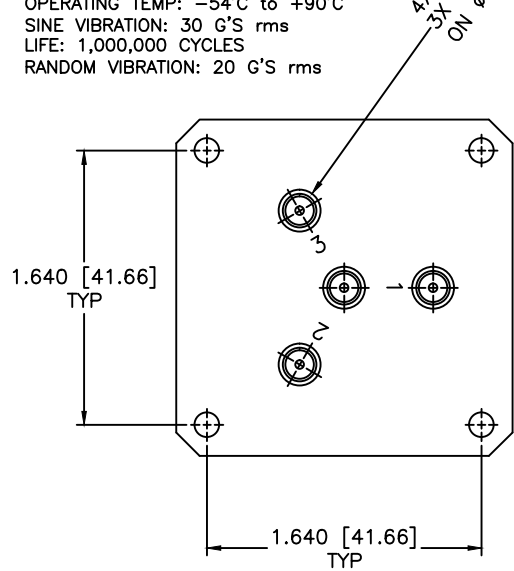


MECHANICAL  
 CONTACT: BREAK BEFORE MAKE  
 ACTUATOR: LATCHING  
 SWITCHING SPEED: 20 mSEC MAX

ELECTRICAL  
 ACTUATOR VOLTAGE: 28.0±3.0 Vdc  
 ACTUATOR CURRENT: 250mA MAX @ 28.0Vdc  
 POWER HANDLING: 100W CW @ 1.0GHz  
 IMPEDANCE: 50 Ohms

ENVIRONMENTAL  
 OPERATING TEMP: -54°C to +90°C  
 SINE VIBRATION: 30 G'S rms  
 LIFE: 1,000,000 CYCLES  
 RANDOM VIBRATION: 20 G'S rms

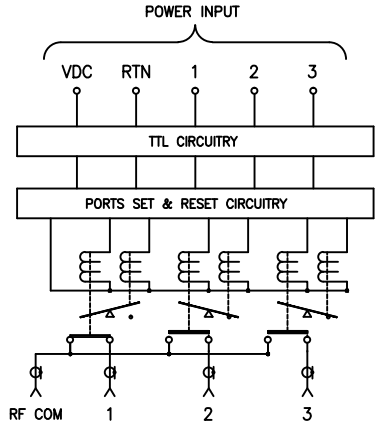
4X SMA FEMALE  
 3X EQUALLY SPACED AT 120°  
 ON Ø1.062 [Ø26.97] B.C.



4X Ø.147 [Ø3.73] THRU

REVISIONS				
ZONE	REV	DESCRIPTION	Date	APPROVED

SPECIFICATIONS  
 Frequency Range: DC-1.0 GHz  
 VSWR: 1.20:1 Max.  
 Insertion Loss: 0.20dB Max.  
 Isolation: 90dB Min.  
 Impedance: 50 Ohms



MATERIAL:	
DRAWN:	DATE:
Paiboon Luengkhamhan	09-24-2003
APPROVED:	DATE:
T. Nguyen	09-24-2003

<b>MCLI</b> MICROWAVE COMMUNICATIONS LABORATORIES INC. 7255 30TH AVE. N. SAINT PETERSBURG, FL 33710 TEL: (727) 344-6254 FAX: (727) 381-6116 http://WWW.MCLI.COM	SCALE:	N/A
	SHEET:	N/A
UNLESS OTHERWISE SPECIFIED: TOLERANCES IN (INCHES) OR [mm] (MILLIMETERS) FRACTIONS: ± 1/64 DECIMALS: ±.02 ±.008 ANGLE: ±1/2°	DRAWING TITLE:	
FREQUENCY NOTES: THE INFORMATION IN THIS DRAWING IS PROPRIETARY AND SHALL NOT BE USED OR DISCLOSED WITHOUT WRITTEN PERMISSION FROM MICROWAVE COMMUNICATIONS LABORATORIES INC. (MCLI)	ELECTROMECHANICAL SWITCHES	
THIRD ANGLE PROJECTION	PART NO.:	
03-1-LL	CAGE CODE:	
OD2L5	SIZE:	N/A
DO NOT SCALE THE DRAWING	REV:	N/A
DWG. NO.	82295	