

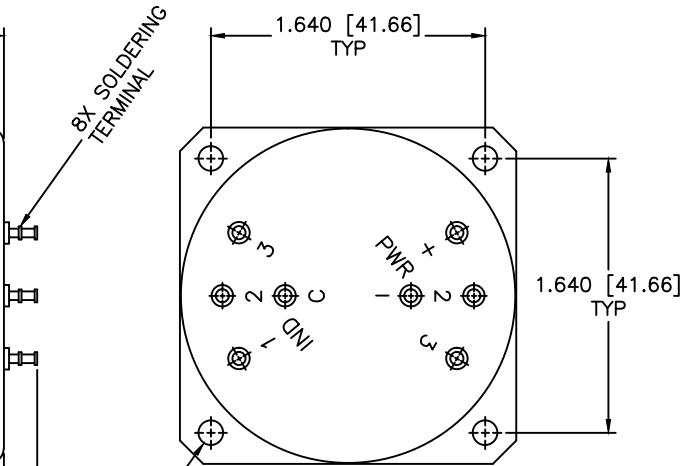
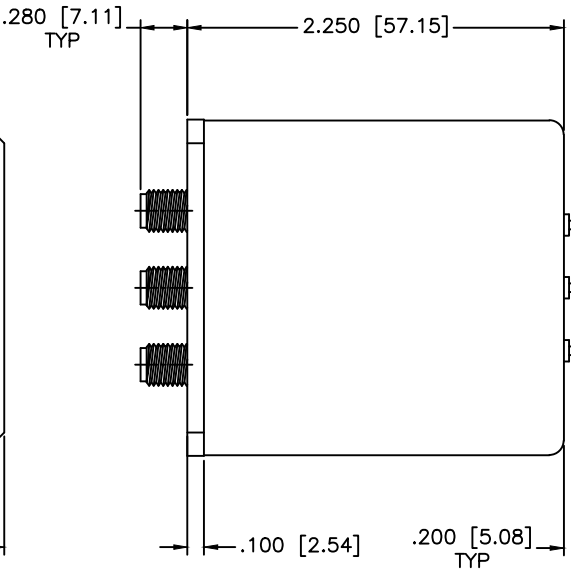
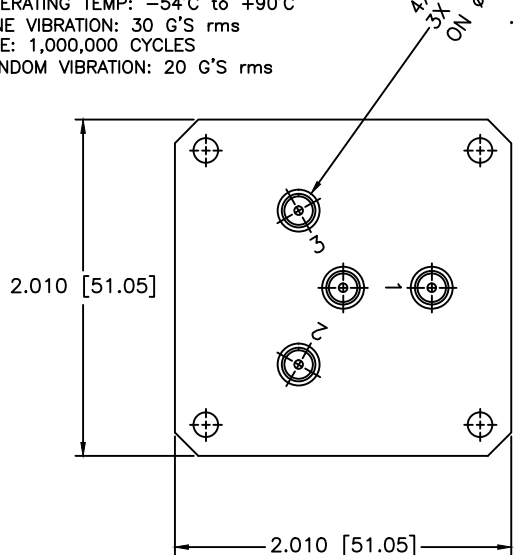
MECHANICAL  
 CONTACT: BREAK BEFORE MAKE  
 ACTUATOR: FAILSAFE  
 SWITCHING SPEED: 20 mSEC MAX

ELECTRICAL  
 ACTUATOR VOLTAGE: 28.0Vdc (22.0-32.0 Vdc)  
 ACTUATOR CURRENT: 250mA MAX @ 28.0Vdc  
 POWER HANDLING: 200W CW @ 1.0GHz  
 IMPEDANCE: 50 Ohms

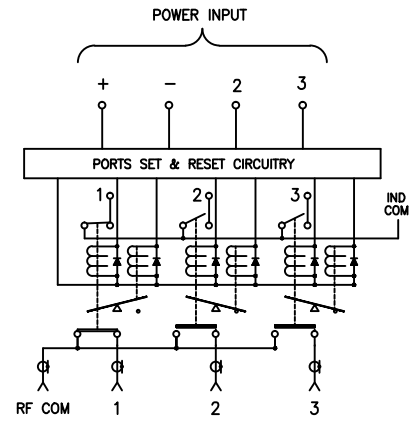
ENVIRONMENTAL  
 OPERATING TEMP: -54°C to +90°C  
 SINE VIBRATION: 30 G'S rms  
 LIFE: 1,000,000 CYCLES  
 RANDOM VIBRATION: 20 G'S rms

REVISIONS				
ZONE	REV	DESCRIPTION	Date	APPROVED

4X SMA FEMALE  
 3X EQUALLY SPACED AT 120°  
 ON Ø1.062 [Ø26.97] B.C.



**SPECIFICATIONS**  
 Frequency Range: DC-1.0 GHz  
 VSWR: 1.20:1 Max.  
 Insertion Loss: 0.20dB Max.  
 Isolation: 90dB Min.  
 Impedance: 50 Ohms



MATERIAL:	
DRAWN: Paiboon Luengkhamhan	DATE: 04-04-2001
APPROVED: T. Nguyen	DATE: 04-04-2001

**MCLI** MICROWAVE COMMUNICATIONS LABORATORIES INC.  
 7255 30TH AVE. N. SAINT PETERSBURG, FL 33710  
 TEL: (727) 544-6254 FAX: (727) 381-6116  
 http://WWW.MCLI.COM

UNLESS OTHERWISE SPECIFIED:  
 TOLERANCES  
 IN (INCHES) OR [mm] (MILLIMETERS)  
 FRACTIONS: ± 1/64  
 DECIMALS: ±.02 ±.008  
 ANGLE: ±1/2°

THIRD ANGLE PROJECTION

SCALE:	N/A
SHEET:	N/A
DRAWING TITLE: ELECTROMECHANICAL SWITCHES	
PART NO. 03-1-FIS	
CAGE CODE: OD2L5	SIZE: N/A
REV: N/A	DWG. NO. 81680
DO NOT SCALE THE DRAWING	